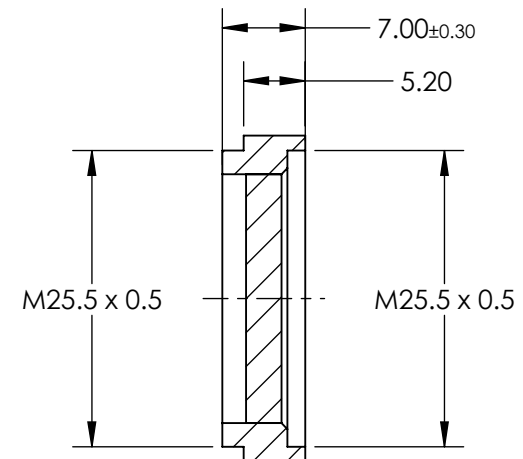
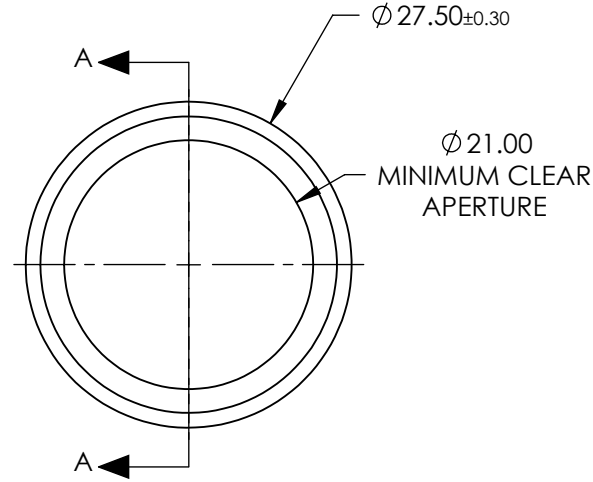
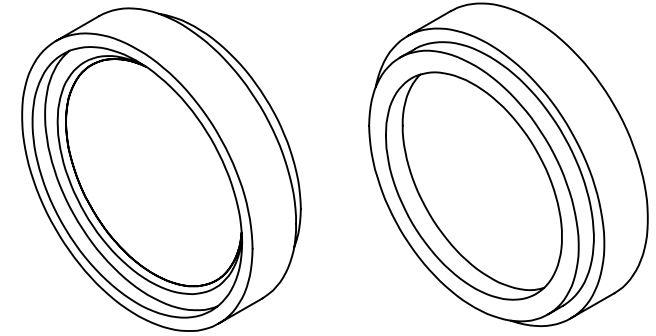


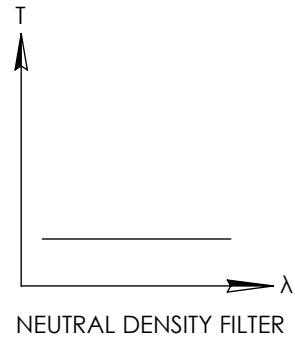
NOTES:

1. SUBSTRATE:  
ND Filter Glass
2. OPTICAL DENSITY: 0.3
3. COATING SPECIFICATION:  
AR Coating: MgF<sub>2</sub>  
R(AVG) ≤ 1.75% @ 400 - 700nm
4. TRANSMISSION (%): 50
5. FILTER THREAD: M25.5 x 0.5

**FOR INFORMATION ONLY:  
DO NOT MANUFACTURE  
PARTS TO THIS DRAWING**



SECTION A-A



SPECIFICATIONS SUBJECT TO CHANGE WITHOUT NOTICE  
DIMENSIONS ARE FOR REFERENCE ONLY



	S1	S2	THIRD ANGLE PROJECTION		TITLE	FILTER ND MTD 0.3OD 25.5X0.5	
SHAPE	PLANO	PLANO	ALL DIMS IN	mm	DWG NO	59163	SHEET 1 OF 1
SURFACE QUALITY	80-50	80-50					