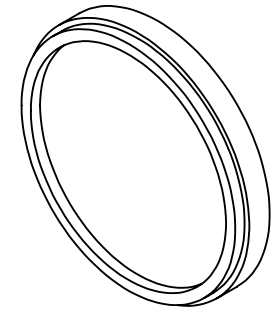


NOTES:

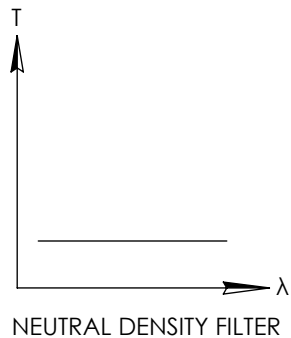
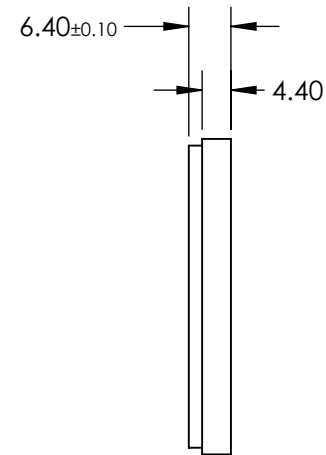
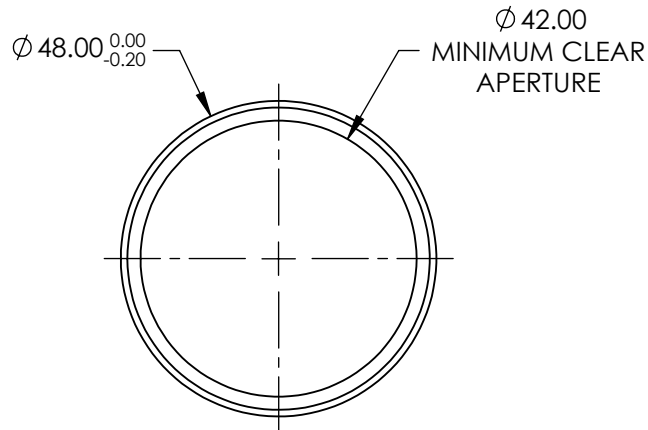
1. SUBSTRATE: ND FILTER GLASS
2. SURFACE S2 TO BE PARALLEL WITH SURFACE S1 TO WITHIN 5 arcsec

3. FINE GRIND SURFACE

4. POWER, IRREGULARITY, AND SURFACE QUALITY SPECIFICATIONS APPLY ACROSS CLEAR APERTURE

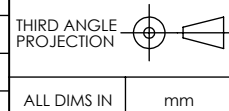


**FOR INFORMATION ONLY:
DO NOT MANUFACTURE
PARTS TO THIS DRAWING**



SPECIFICATIONS SUBJECT TO CHANGE WITHOUT NOTICE
DIMENSIONS ARE FOR REFERENCE ONLY

	S1	S2
SHAPE	PLANO	PLANO
SURFACE QUALITY	80-50	80-50
CLEAR APERTURE	$\phi 42$	$\phi 42$
BEVEL	PROTECTIVE AS NEEDED	PROTECTIVE AS NEEDED



EO® Edmund Optics®

TITLE OD 0.3, M46.0 X 0.75 MOUNTED ABSORPTIVE ND FILTER

DWG NO 54728 SHEET 1 OF 1