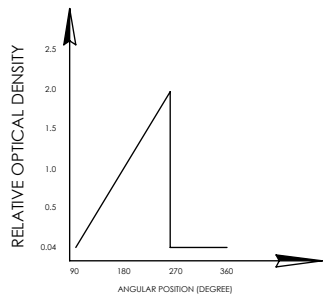
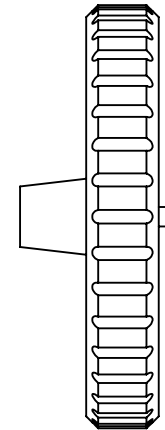
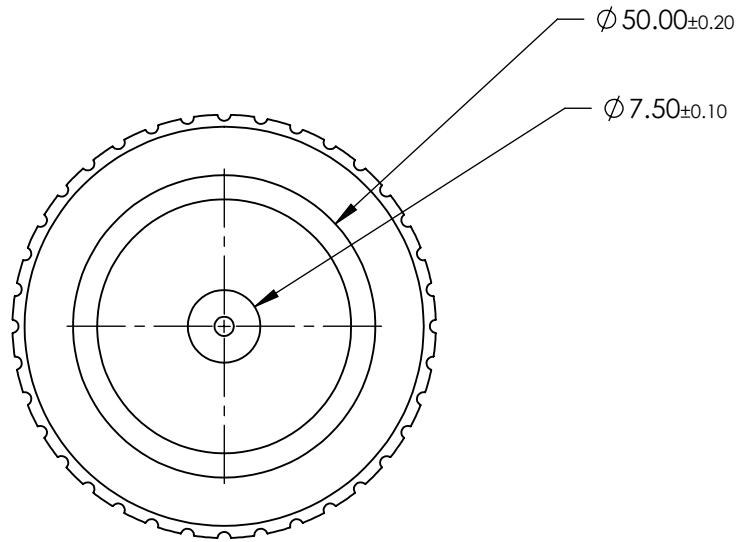
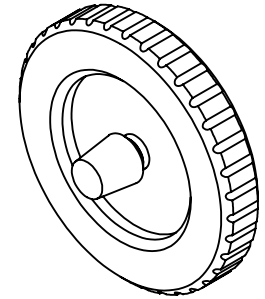


**FOR INFORMATION ONLY:
DO NOT MANUFACTURE
PARTS TO THIS DRAWING**



CIRCULAR VARIABLE FILTER

SPECIFICATIONS SUBJECT TO CHANGE WITHOUT NOTICE
DIMENSIONS ARE FOR REFERENCE ONLY

EO® Edmund Optics®

	S1	S2
SHAPE	PLANO	PLANO
SURFACE QUALITY	60-40	60-40
COATING	VARIABLE	VARIABLE
BEVEL	PROTECTED AS NEEDED	PROTECTED AS NEEDED



THIRD ANGLE
PROJECTION

ALL DIMS IN

mm

TITLE

OD 0.04 - 3.0, Ø50mm, MOUNTED CIRCULAR
VARIABLE NEUTRAL DENSITY (ND) FILTER

DWG NO

54536

SHEET
1 OF 1