
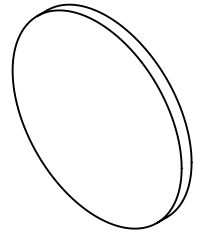
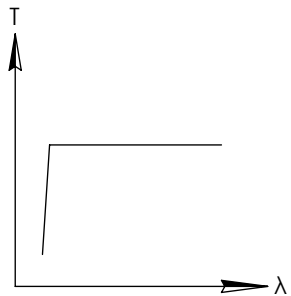
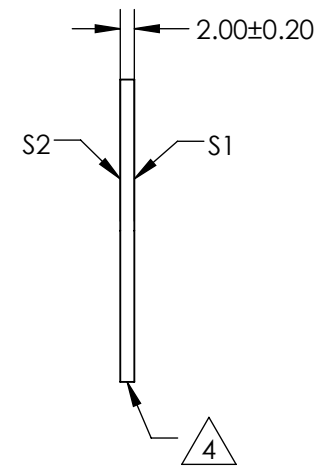
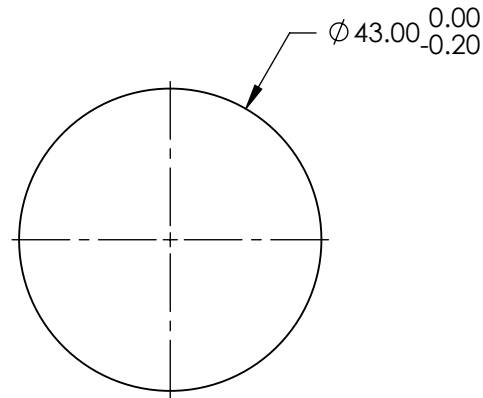


NOTES:

1. SUBSTRATE
2. SURFACE S2 TO BE PARALLEL WITH SURFACE S1 TO WITHIN 5 arcsec
3. COATING (APPLY ACROSS COATING APERTURE)
 PERFORMANCE SPECIFICATIONS:
 T(avg): >80 (AVG)% FROM 350-2200nm
 CUT-ON WAVELENGTH: 390nm
4.  FINE GRIND SURFACE
5. POWER, IRREGULARITY, AND SURFACE QUALITY SPECIFICATIONS
 APPLY ACROSS CLEAR APERTURE
6. ROHS EXEMPT



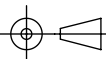
**FOR INFORMATION ONLY:
 DO NOT MANUFACTURE
 PARTS TO THIS DRAWING**



CUT-OFF FILTER

SPECIFICATIONS SUBJECT TO CHANGE WITHOUT NOTICE
 DIMENSIONS ARE FOR REFERENCE ONLY



REV A	S1	S2				
SHAPE	PLANO	PLANO	THIRD ANGLE PROJECTION 	TITLE	Ø43mm UV CUT-OFF FILTER	
SURFACE QUALITY	80-50	80-50		DWG NO	54051	SHEET 1 OF 1
BEVEL	PROTECTIVE AS NEEDED	PROTECTIVE AS NEEDED	ALL DIMS IN mm			