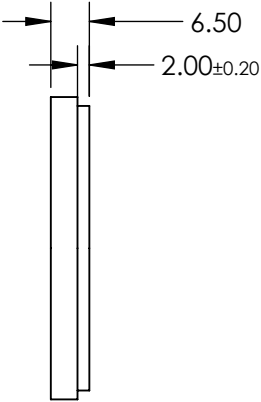
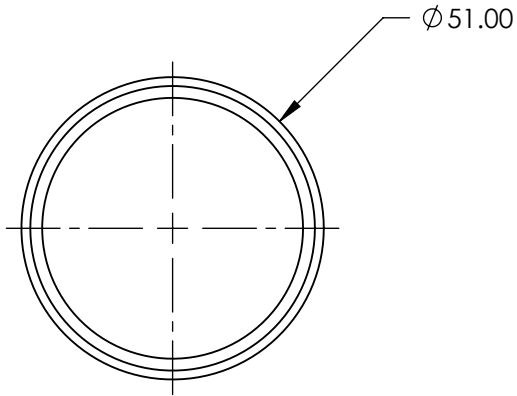
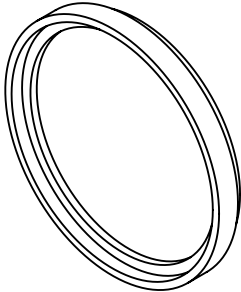
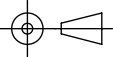


**FOR INFORMATION ONLY:  
DO NOT MANUFACTURE  
PARTS TO THIS DRAWING**



SPECIFICATIONS SUBJECT TO CHANGE WITHOUT NOTICE  
DIMENSIONS ARE FOR REFERENCE ONLY

REV. A	VALUE
SHAPE	PLANO
CUT-ON WAVELENGTH	390
SURFACE FLATNESS	4 - 6λ
SURFACE QUALITY	80-50
CLEAR APERTURE	Ø44

THIRD ANGLE PROJECTION 

ALL DIMS IN mm

**EO**® **Edmund Optics**®

TITLE	M49 X 0.75 MOUNTED, UV CUT-OFF FILTER
DWG NO	54043
	SHEET 1 OF 1