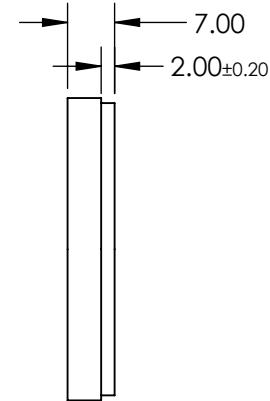
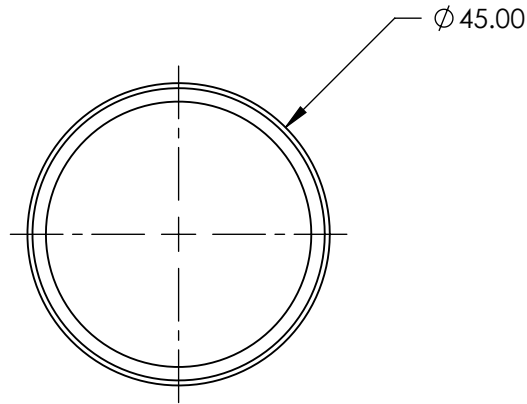
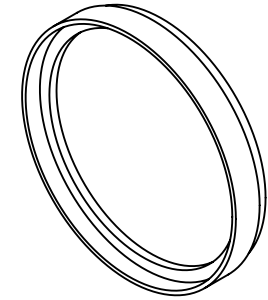


**FOR INFORMATION ONLY:
DO NOT MANUFACTURE
PARTS TO THIS DRAWING**



SPECIFICATIONS SUBJECT TO CHANGE WITHOUT NOTICE
DIMENSIONS ARE FOR REFERENCE ONLY

REV. A	VALUE
SHAPE	PLANO
CUT-ON WAVELENGTH	390
SURFACE FLATNESS	4 - 6λ
SURFACE QUALITY	80-50
CLEAR APERTURE	Ø39.5



ALL DIMS IN mm

EO® **Edmund Optics**®

TITLE M43 X 0.75 MOUNTED, UV CUT-OFF FILTER

DWG NO 54040

SHEET 1 OF 1