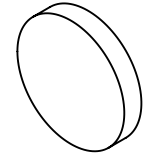


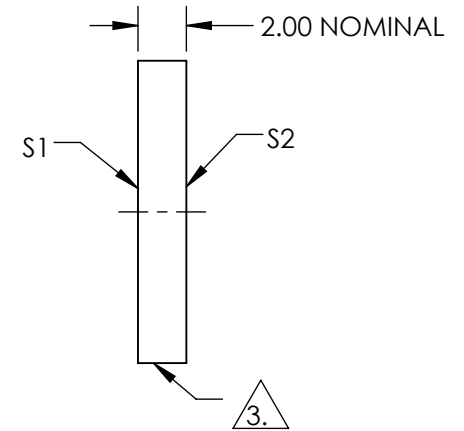
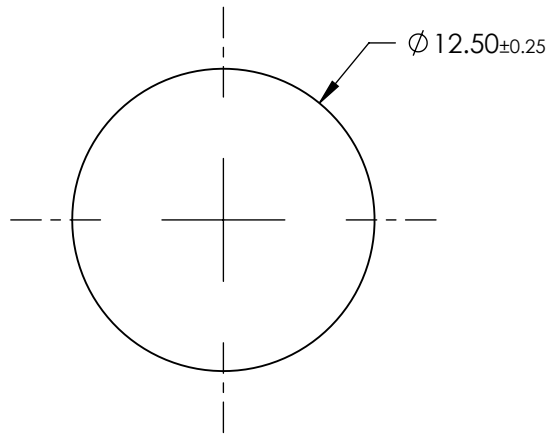
NOTES:

1. SUBSTRATE:  
BOROFLOAT®
2. COATING PERFORMANCE (APPLY ACROSS COATING APERTURE)  
T(AVG) >80% @ 400 - 550nm  
T(AVG) <1.0% @ 640 - 740nm



3. FINE GROUND SURFACE

4. ROHS COMPLIANT



**FOR INFORMATION ONLY:  
DO NOT MANUFACTURE  
PARTS TO THIS DRAWING**

SPECIFICATIONS SUBJECT TO CHANGE WITHOUT NOTICE  
DIMENSIONS ARE FOR REFERENCE ONLY

	S1	S2
SHAPE	PLANO	PLANO
SURFACE QUALITY	80-50	80-50
CLEAR APERTURE	≥85%	≥85%
BEVEL	PROTECTIVE AS NEEDED	PROTECTIVE AS NEEDED

THIRD ANGLE PROJECTION

ALL DIMS IN mm

**EO**® Edmund Optics®

TITLE

12.5mm Diameter, Cyan Dichroic Filter

DWG NO

52536

SHEET  
1 OF 1