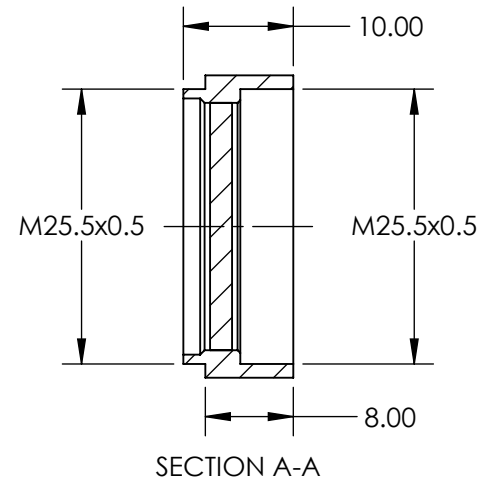
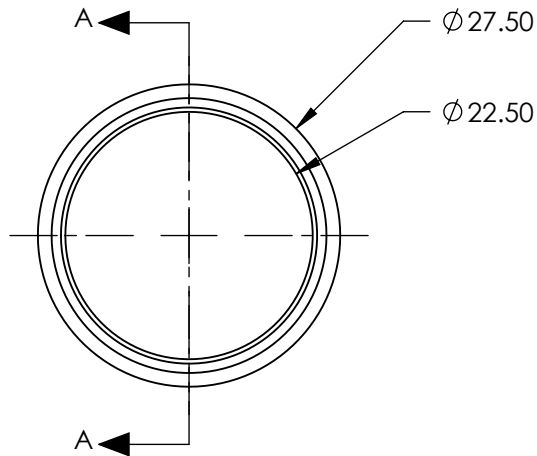
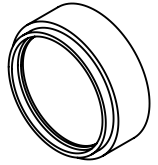


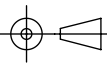
**FOR INFORMATION ONLY:
DO NOT MANUFACTURE
PARTS TO THIS DRAWING**



SPECIFICATIONS SUBJECT TO CHANGE WITHOUT NOTICE
DIMENSIONS ARE FOR REFERENCE ONLY



REV. A	VALUE
POLARIZATION EFFICIENCY	95%
TRANSMISSION	SINGLE: 30%; CROSSED: 0.15%

THIRD ANGLE PROJECTION 

ALL DIMS IN mm

TITLE	M25.5 x 0.5 MOUNTED LINEAR GLASS POLARIZING FILTER
DWG NO	46575
SHEET	1 OF 1