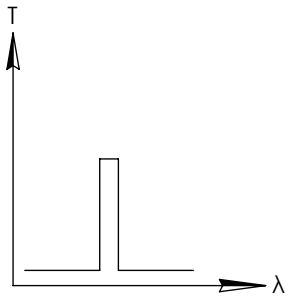
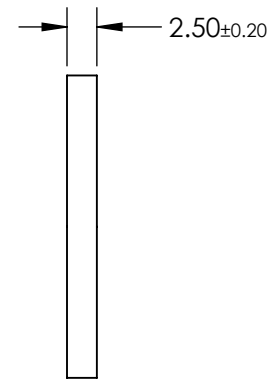
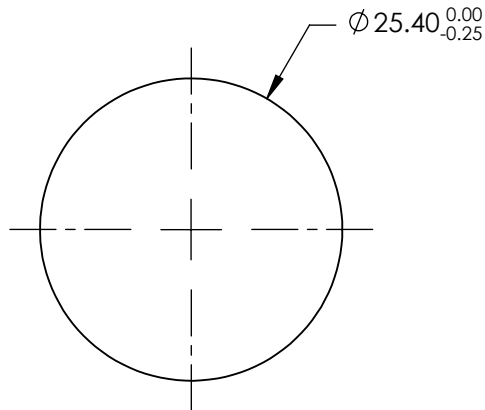
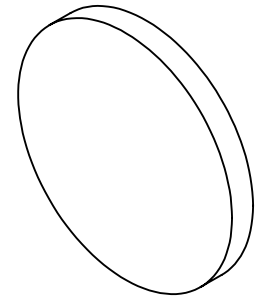


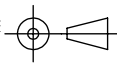
**FOR INFORMATION ONLY:  
DO NOT MANUFACTURE  
PARTS TO THIS DRAWING**




BANDPASS FILTER

SPECIFICATIONS SUBJECT TO CHANGE WITHOUT NOTICE  
DIMENSIONS ARE FOR REFERENCE ONLY

	VALUE
SHAPE	PLANO
CENTER WAVELENGTH (nm)	360
FULL WIDTH HALF MAX (FWHM) (nm)	45
SURFACE QUALITY	60-40
COATING TYPE	Uncoated
BEVEL	PROTECTIVE AS NEEDED

THIRD ANGLE PROJECTION 

ALL DIMS IN mm

 **Edmund Optics®**

TITLE HOYA U-360 (UV) 25.4mm Dia., Colored Glass Bandpass Filter

DWG NO 46441

SHEET 1 OF 1