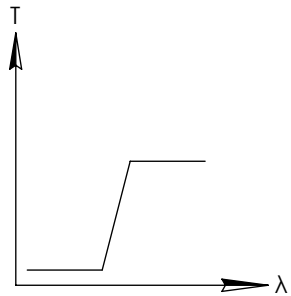
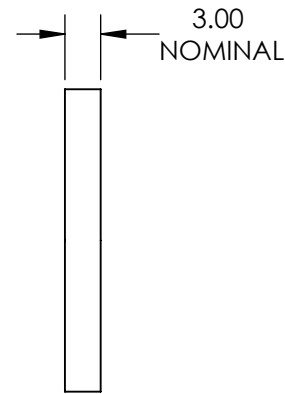
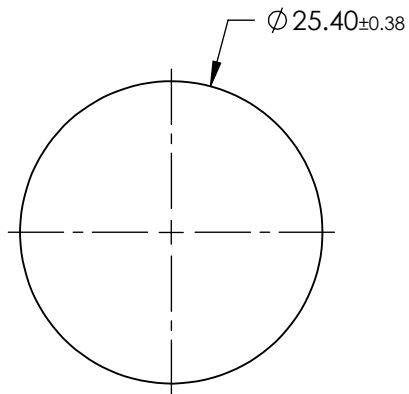
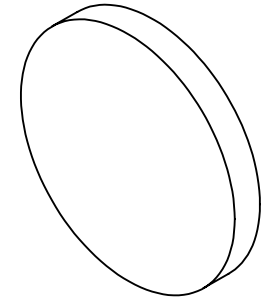


**FOR INFORMATION ONLY:
DO NOT MANUFACTURE
PARTS TO THIS DRAWING**



LONGPASS FILTER

SPECIFICATIONS SUBJECT TO CHANGE WITHOUT NOTICE
DIMENSIONS ARE FOR REFERENCE ONLY

| REV. 001 | S1 | S2 |
|--------------------------------------|----------------------|----------------------|
| SHAPE | PLANO | PLANO |
| SPECTRAL TRANSMITTANCE $t_p(\%)$ | 92 | 92 |
| PASSBAND LIMIT $1 \lambda_{p1}$ (nm) | 480 | 480 |
| CUT-OFF POSITION λ_c (nm) | 395 ± 6 | 395 ± 6 |
| STOPBAND LIMIT λ_s (nm) | 340 | 340 |
| WAVELENGTH | UV | UV |
| BEVEL | PROTECTIVE AS NEEDED | PROTECTIVE AS NEEDED |



ALL DIMS IN mm

| | |
|--------|---|
| TITLE | $\varnothing 25.4\text{mm}$, SCHOTT GG-395 LONGPASS FILTER |
| DWG NO | 46055 |
| SHEET | 1 OF 1 |