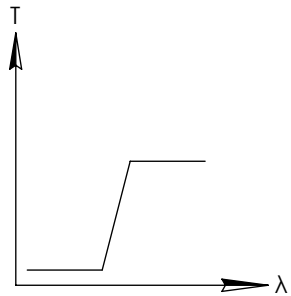
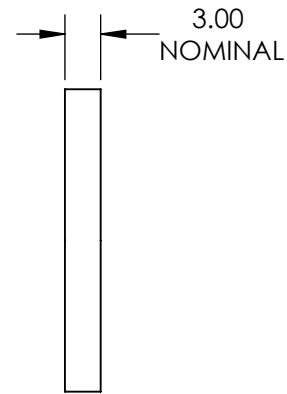
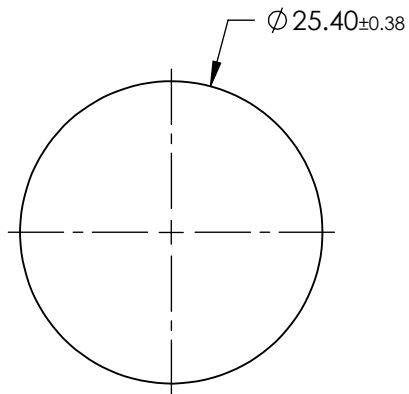
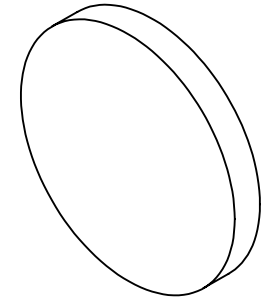


**FOR INFORMATION ONLY:  
DO NOT MANUFACTURE  
PARTS TO THIS DRAWING**



LONGPASS FILTER

SPECIFICATIONS SUBJECT TO CHANGE WITHOUT NOTICE  
DIMENSIONS ARE FOR REFERENCE ONLY

REV. 001	S1	S2
SHAPE	PLANO	PLANO
SPECTRAL TRANSMITTANCE $t_p(\%)$	93	93
PASSBAND LIMIT $1 \lambda_{p1}$ (nm)	580	580
CUT-OFF POSITION $\lambda_c$ (nm)	$515 \pm 6$	$515 \pm 6$
STOPBAND LIMIT $\lambda_s$ (nm)	440	440
WAVELENGTH	VIS	VIS
BEVEL	PROTECTIVE AS NEEDED	PROTECTIVE AS NEEDED



ALL DIMS IN

mm

TITLE	$\varnothing 25.4\text{mm}$ , SCHOTT OG-515 LONGPASS FILTER
DWG NO	45069
SHEET	1 OF 1