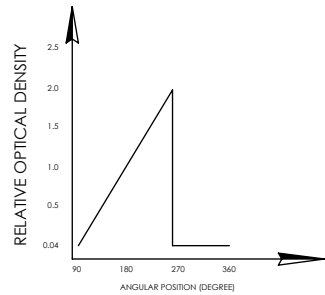
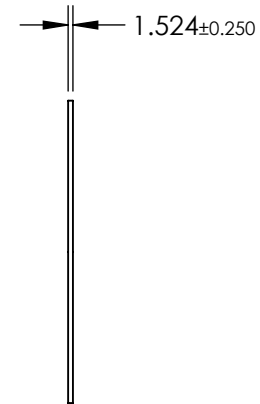
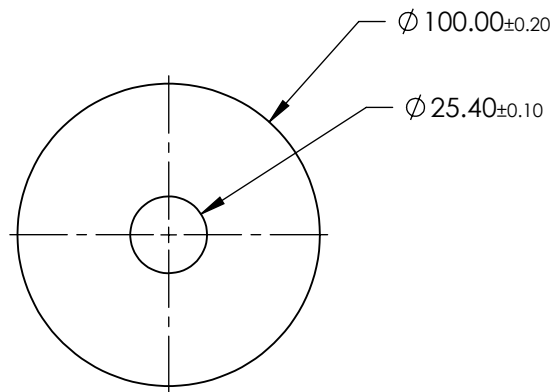
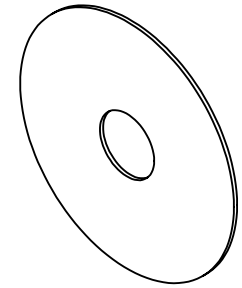


**FOR INFORMATION ONLY:  
DO NOT MANUFACTURE  
PARTS TO THIS DRAWING**

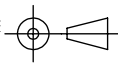


CIRCULAR VARIABLE FILTER

SPECIFICATIONS SUBJECT TO CHANGE WITHOUT NOTICE  
DIMENSIONS ARE FOR REFERENCE ONLY

**EO**® Edmund Optics®

REV. A	S1	S2
SHAPE	PLANO	PLANO
SURFACE QUALITY	60-40	60-40
COATING	VARIABLE	VARIABLE
BEVEL	PROTECTIVE AS NEEDED	PROTECTIVE AS NEEDED

THIRD ANGLE PROJECTION 

ALL DIMS IN mm

TITLE	DWG NO	SHEET
OD 0.04 - 4.0, Ø100mm, UNMOUNTED CIRCULAR VARIABLE NEUTRAL DENSITY (ND) FILTER	43770	1 OF 1