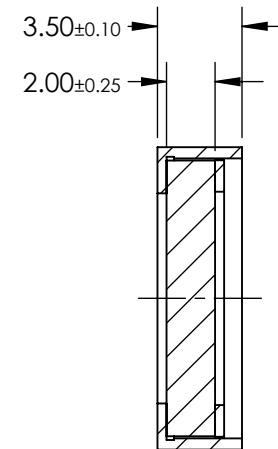
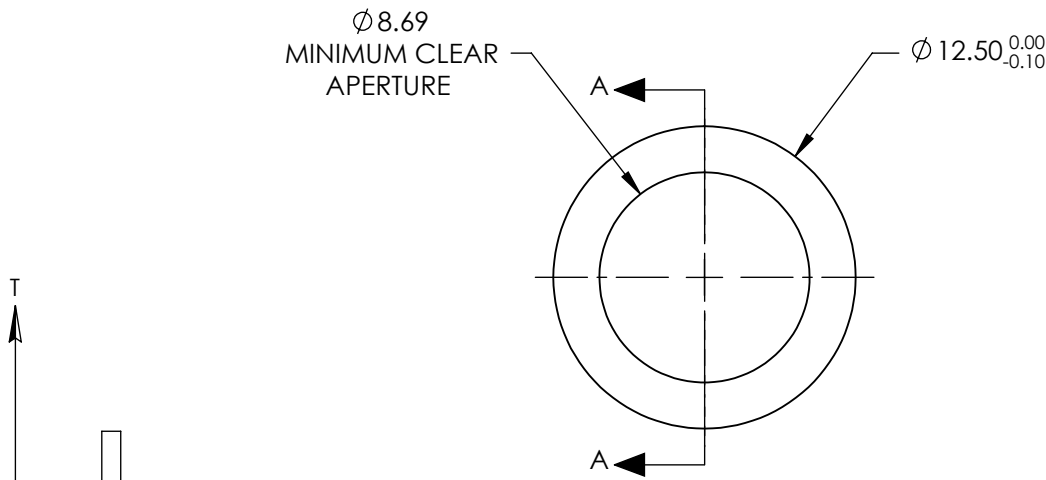


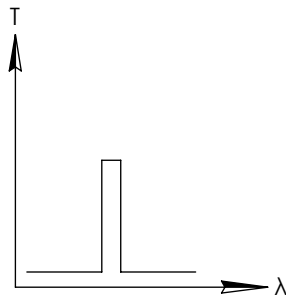
NOTES:

1. SUBSTRATE:  
FUSED SILICA MOUNTED IN BLACK ANODIZED ALUMINUM RING
2. TRANSMITTED WAVEFRONT ERROR:  $\lambda/4$
3. RoHS: COMPLIANT

**FOR INFORMATION ONLY:  
DO NOT MANUFACTURE  
PARTS TO THIS DRAWING**



SECTION A-A



BANDPASS FILTER

	VALUE
CENTER WAVELENGTH (CWL) (nm)	$386 \pm 3$
MINIMUM BANDPATH (nm)	23
FULL WIDTH HALF MAX (FWHM) (nm)	27
MINIMUM TRANSMISSION (%)	>90
OD6 BLOCKING RANGE (nm)	410 - 510
SURFACE QUALITY	60-40
COATING TYPE	HARD COATED
DURABILITY	MIL-C-48497A, SECT. 3.4.1
ENVIRONMENTAL	MIL-STD-801F, SECT. 507 .4

SPECIFICATIONS SUBJECT TO CHANGE WITHOUT NOTICE  
DIMENSIONS ARE FOR REFERENCE ONLY

**Edmund Optics®**

THIRD ANGLE PROJECTION

TITLE

OD6,  $\phi 12.5$ mm, 386nm x 23nm, BP  
FLUORESCENCE FILTER

ALL DIMS IN

mm

DWG NO

33320

SHEET  
1 OF 1