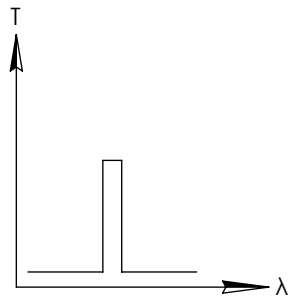
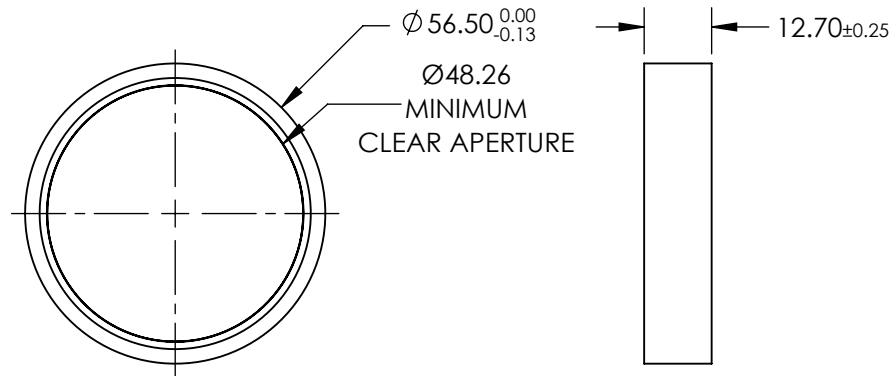
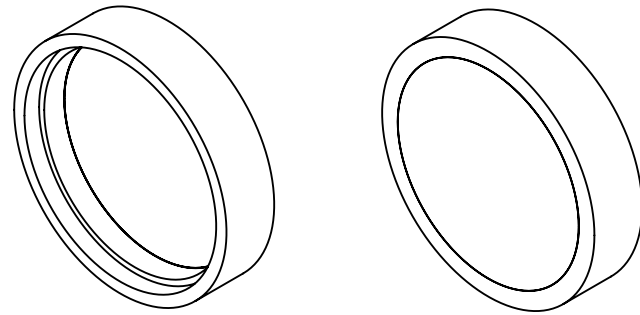


**FOR INFORMATION ONLY:
DO NOT MANUFACTURE
PARTS TO THIS DRAWING**



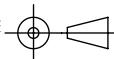
BANDPASS FILTER

SPECIFICATIONS SUBJECT TO CHANGE WITHOUT NOTICE
DIMENSIONS ARE FOR REFERENCE ONLY

REV. A	VALUE
CENTER WAVELENGTH (CWL)	193±2.5nm
FULL WIDTH HALF MAX (FWHM)	20 nm
MINIMUM TRANSMISSION	>15
SURFACE QUALITY	20-10
COATING TYPE	TRADITIONAL COATED



THIRD ANGLE PROJECTION



TITLE	Ø56.5mm, 193nm, DEEP UV BANDPASS FILTER
DWG NO	33030
SHEET 1 OF 1	

ALL DIMS IN

mm