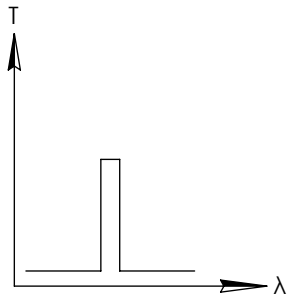
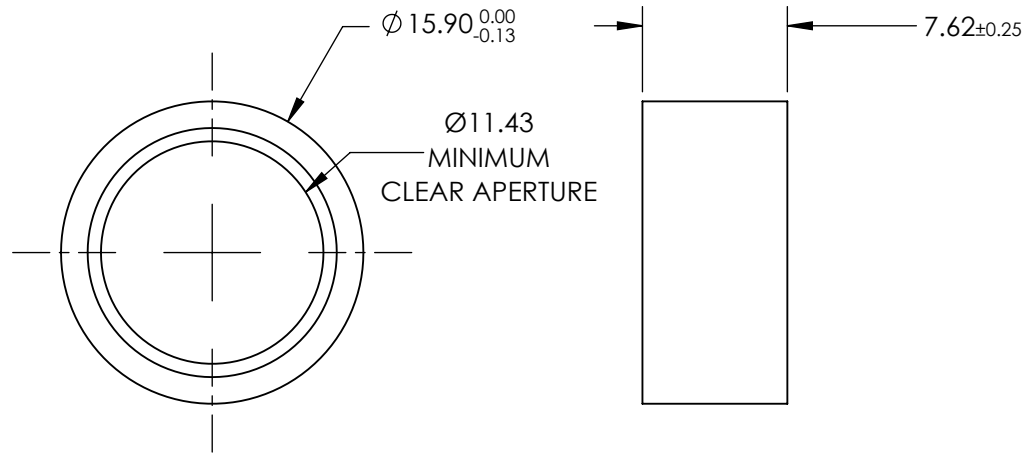
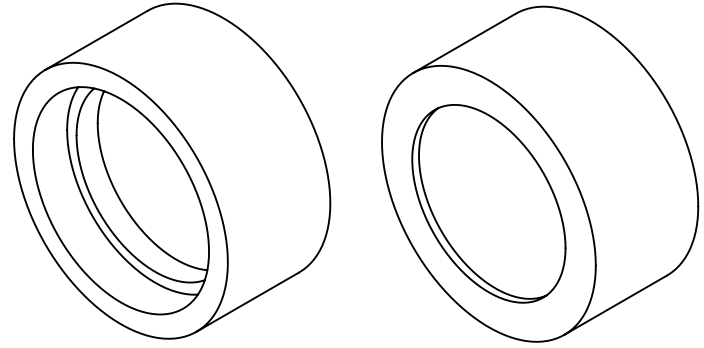


**FOR INFORMATION ONLY:  
DO NOT MANUFACTURE  
PARTS TO THIS DRAWING**



BANDPASS FILTER

SPECIFICATIONS SUBJECT TO CHANGE WITHOUT NOTICE  
DIMENSIONS ARE FOR REFERENCE ONLY

REV. A	VALUE
CENTER WAVELENGTH (CWL)	193±2.5nm
FULL WIDTH HALF MAX (FWHM)	20 nm
MINIMUM TRANSMISSION	>15
SURFACE QUALITY	20-10
COATING TYPE	TRADITIONAL COATED



THIRD ANGLE PROJECTION		TITLE	Ø15.9mm, 193nm, DEEP UV BANDPASS FILTER
ALL DIMS IN	mm	DWG NO	33022
			SHEET 1 OF 1