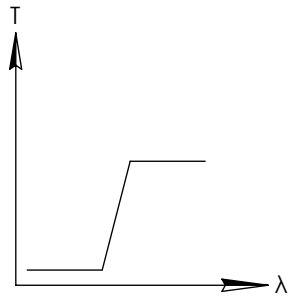
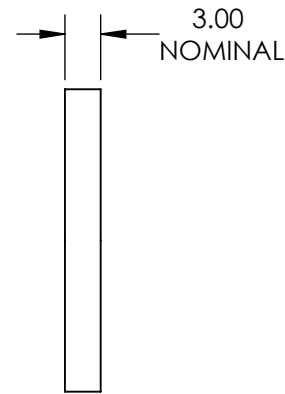
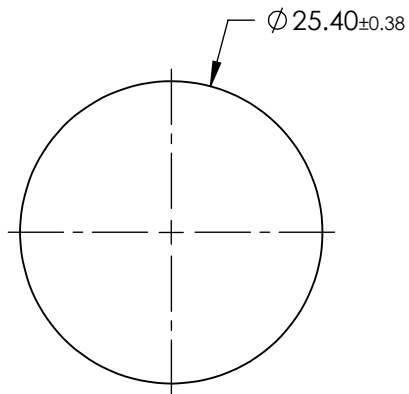
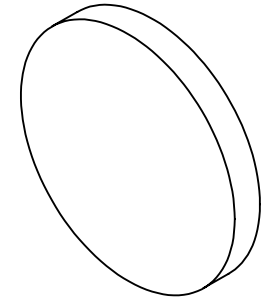


**FOR INFORMATION ONLY:
DO NOT MANUFACTURE
PARTS TO THIS DRAWING**



LONGPASS FILTER

SPECIFICATIONS SUBJECT TO CHANGE WITHOUT NOTICE
DIMENSIONS ARE FOR REFERENCE ONLY

REV. 001	S1	S2
SHAPE	PLANO	PLANO
SPECTRAL TRANSMITTANCE $t_p(\%)$	94	94
PASSBAND LIMIT $1 \lambda_{p1}$ (nm)	710	710
CUT-OFF POSITION λ_c (nm)	630 ± 6	630 ± 6
STOPBAND LIMIT λ_s (nm)	540	540
WAVELENGTH	VIS	VIS
BEVEL	PROTECTIVE AS NEEDED	PROTECTIVE AS NEEDED



ALL DIMS IN

mm

TITLE

$\varnothing 25.4\text{mm}$, SCHOTT RG-630 LONGPASS FILTER

DWG NO

32755

SHEET
1 OF 1