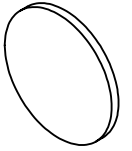


NOTES:

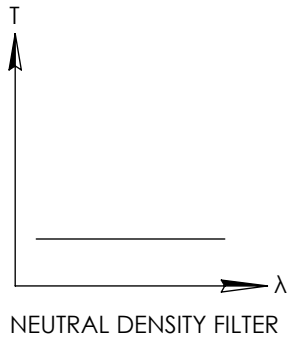
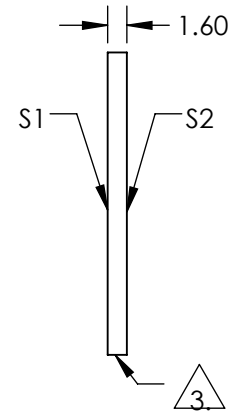
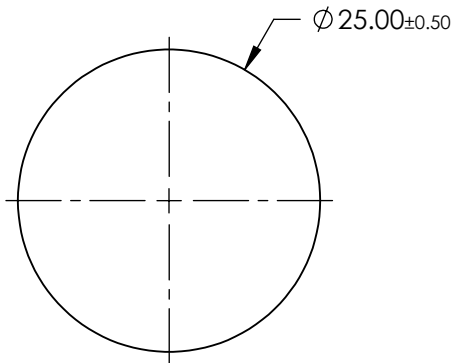
1. SUBSTRATE:  
FLOAT GLASS
2. COATING (APPLY ACROSS COATING APERTURE):  
S1: INCONEL  
S2: NONE

**FOR INFORMATION ONLY:  
DO NOT MANUFACTURE  
PARTS TO THIS DRAWING**



 FINE GRIND SURFACE

4. POWER, IRREGULARITY, AND SURFACE QUALITY SPECIFICATIONS  
APPLY ACROSS CLEAR APERTURE
5. ROHS COMPLIANT



SPECIFICATIONS SUBJECT TO CHANGE WITHOUT NOTICE  
DIMENSIONS ARE FOR REFERENCE ONLY

 **Edmund Optics®**

|                     | S1                   | S2                   |
|---------------------|----------------------|----------------------|
| SHAPE               | PLANO                | PLANO                |
| SURFACE QUALITY     | 80-50                | 80-50                |
| BLOCKING WAVELENGTH | 400 - 700            | 400 - 700            |
| BEVEL               | PROTECTIVE AS NEEDED | PROTECTIVE AS NEEDED |

THIRD ANGLE PROJECTION 

ALL DIMS IN mm

TITLE OD 2, Ø25mm REFLECTIVE ND FILTER

DWG NO 30938

SHEET 1 OF 1