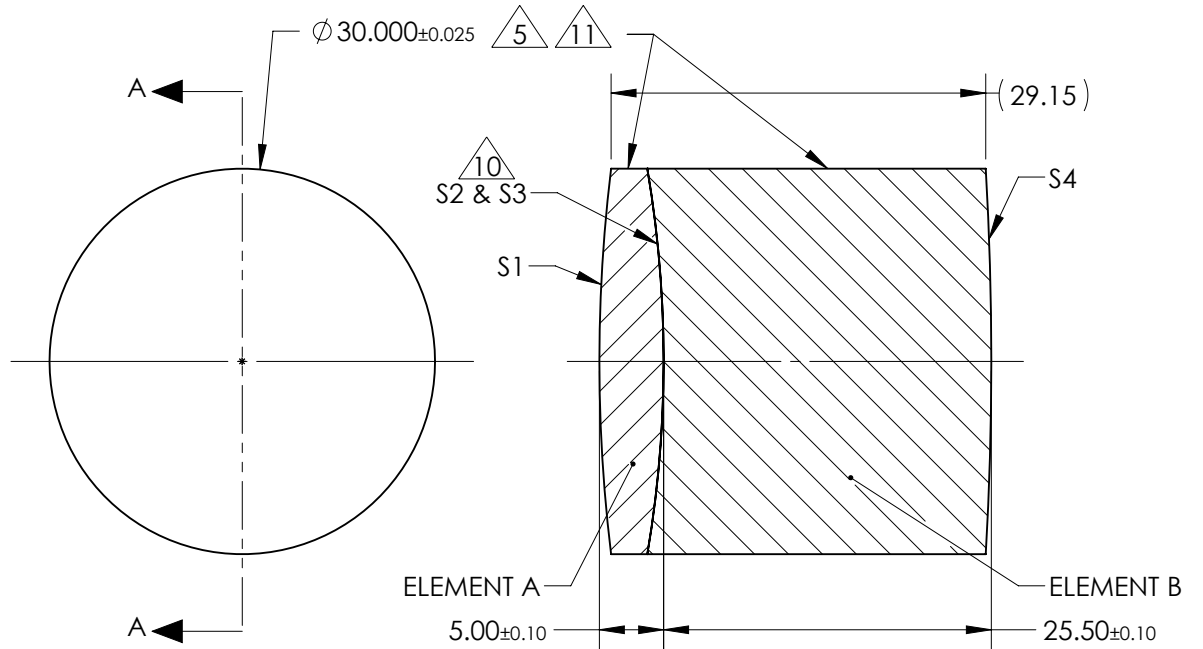


NOTES:

1. SUBSTRATE:
ELEMENT A: GRADE A FINE ANNEALED
SCHOTT: N-BK7 517/642

ELEMENT B: GRADE A FINE ANNEALED
SCHOTT: N-SF5 673/322
2. ROHS COMPLIANT
3. CENTERING TOLERANCE (AT 587.6nm):
BEAM DEVIATION (HALF ANGLE): <1 ARCMIN
4. COATING (APPLY ACROSS COATING APERTURE)
S1 & S4: VIS-NIR
R(ABS) ≤ 0.25% AT 880nm @ 0° AOI
R(AVG) ≤ 1.25% FROM 400-870nm @ 0° AOI
R(AVG) ≤ 1.25% FROM 890-1000nm @ 0° AOI
S2 & S3: NONE

- 5. FINE GRIND SURFACE
- 6. POWER, IRREGULARITY, AND SURFACE QUALITY SPECIFICATIONS APPLY ACROSS CLEAR APERTURE
- 7. FOCAL LENGTH (EFL): 200.00mm ±2%
BACK FOCAL LENGTH (BFL): 196.57mm
- 8. PROTECTIVE BEVEL AS NEEDED
- 9. DESIGN WAVELENGTH: 587.6nm
- 10. ELEMENTS TO BE CEMENTED WITH NORLAND OPTICAL ADHESIVE NOA61
- 11. BLACKENED SURFACE

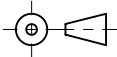


SECTION A-A

**FOR INFORMATION ONLY:
DO NOT MANUFACTURE
PARTS TO THIS DRAWING**

SPECIFICATIONS SUBJECT TO CHANGE WITHOUT NOTICE
DIMENSIONS ARE FOR REFERENCE ONLY

| ELEMENT TITLE | SPECIFICATIONS AFTER CEMENTING | | | |
|-------------------------|--------------------------------|------------|------------|------------|
| | ELEMENT A | | ELEMENT B | |
| SURFACE | S1 | S2 | S3 | S4 |
| SHAPE | CONVEX | CONVEX | CONCAVE | CONVEX |
| RADIUS | 123.77 | 89.22 | 89.22 | 259.43 |
| SURFACE QUALITY | 40 - 20 | 40 - 20 | 40 - 20 | 40 - 20 |
| MIN CLEAR APERTURE | ∅ 29.00 | ∅ 29.00 | ∅ 29.00 | ∅ 29.00 |
| MIN COATING APERTURE | ∅ 29.00 | N/A | N/A | ∅ 29.00 |
| POWER AT 632.8nm | 3.00 RINGS | 3.00 RINGS | 3.00 RINGS | 3.00 RINGS |
| IRREGULARITY AT 632.8nm | 0.50 RINGS | 0.50 RINGS | 0.50 RINGS | 0.50 RINGS |

THIRD ANGLE PROJECTION 

ALL DIMS IN mm

EO® Edmund Optics®

TITLE: 30mm Dia. x 200mm, VIS-NIR, Inked, Achromatic Lens

DWG NO: 49377INK

SHEET 1 OF 1