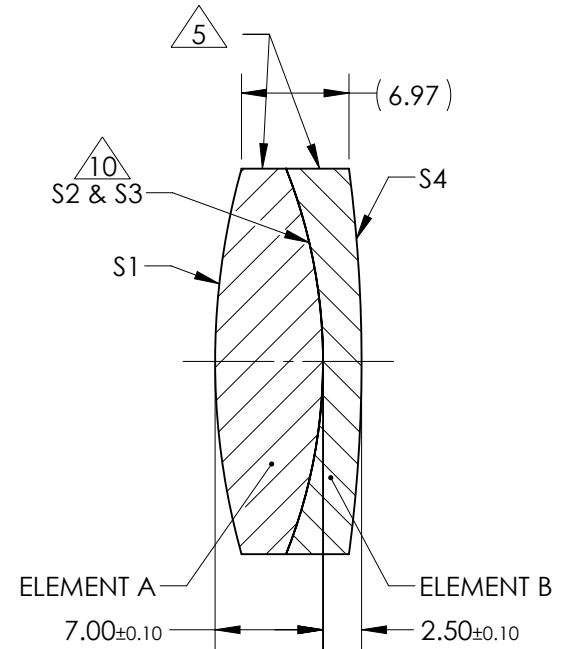
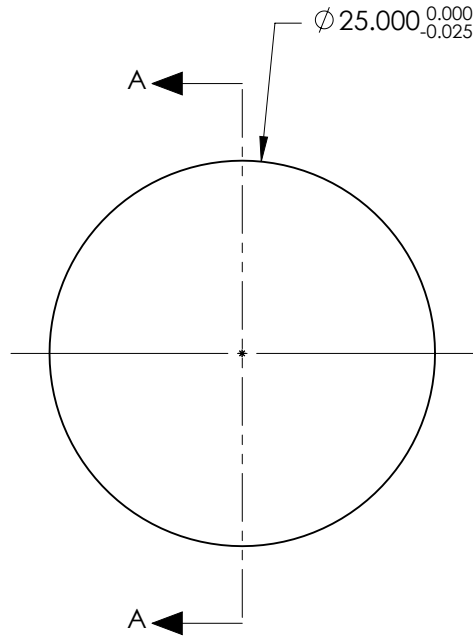


NOTES:

1. SUBSTRATE:
ELEMENT A: GRADE A FINE ANNEALED
SCHOTT: N-BK7 517/642

ELEMENT B: GRADE A FINE ANNEALED
SCHOTT: N-SF5 673/322
2. ROHS COMPLIANT
3. CENTERING TOLERANCE (AT 587.6nm):
BEAM DEVIATION (HALF ANGLE): <1 ARCMIN
4. COATING (APPLY ACROSS COATING APERTURE)

S1 & S4: YAG-BBAR
R(ABS) < 0.25% @ 532nm @ 0° AOI
R(ABS) < 0.25% @ 1064nm @ 0° AOI
R(AVG) < 1.0% FROM 500-1100nm @ 0° AOI
S2 & S3: NONE
5. FINE GRIND SURFACE
6. POWER, IRREGULARITY, AND SURFACE QUALITY SPECIFICATIONS APPLY ACROSS CLEAR APERTURE
7. FOCAL LENGTH (EFL): 75.00mm ±2%
BACK FOCAL LENGTH (BFL): 70.39mm
8. PROTECTIVE BEVEL AS NEEDED
9. DESIGN WAVELENGTH: 587.6nm
10. ELEMENTS TO BE CEMENTED WITH NORLAND OPTICAL ADHESIVE NOA61

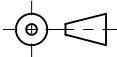


SECTION A-A

**FOR INFORMATION ONLY:
DO NOT MANUFACTURE
PARTS TO THIS DRAWING**

SPECIFICATIONS SUBJECT TO CHANGE WITHOUT NOTICE
DIMENSIONS ARE FOR REFERENCE ONLY

| ELEMENT TITLE | SPECIFICATIONS AFTER CEMENTING | | | |
|-------------------------|--------------------------------|------------|------------|------------|
| | ELEMENT A | | ELEMENT B | |
| SURFACE | S1 | S2 | S3 | S4 |
| SHAPE | CONVEX | CONVEX | CONCAVE | CONVEX |
| RADIUS | 46.44 | 33.77 | 33.77 | 95.94 |
| SURFACE QUALITY | 40 - 20 | 40 - 20 | 40 - 20 | 40 - 20 |
| MIN CLEAR APERTURE | ∅24.00 | ∅24.00 | ∅24.00 | ∅24.00 |
| MIN COATING APERTURE | ∅24.00 | N/A | N/A | ∅24.00 |
| POWER AT 632.8nm | 3.00 RINGS | 3.00 RINGS | 3.00 RINGS | 3.00 RINGS |
| IRREGULARITY AT 632.8nm | 0.50 RINGS | 0.50 RINGS | 0.50 RINGS | 0.50 RINGS |

THIRD ANGLE PROJECTION 

ALL DIMS IN mm

EO [®] Edmund Optics [®]

TITLE: 25mm Dia. x 75mm FL, YAG-BBAR Coated, Achromatic Lens

DWG NO: 33210

SHEET 1 OF 1