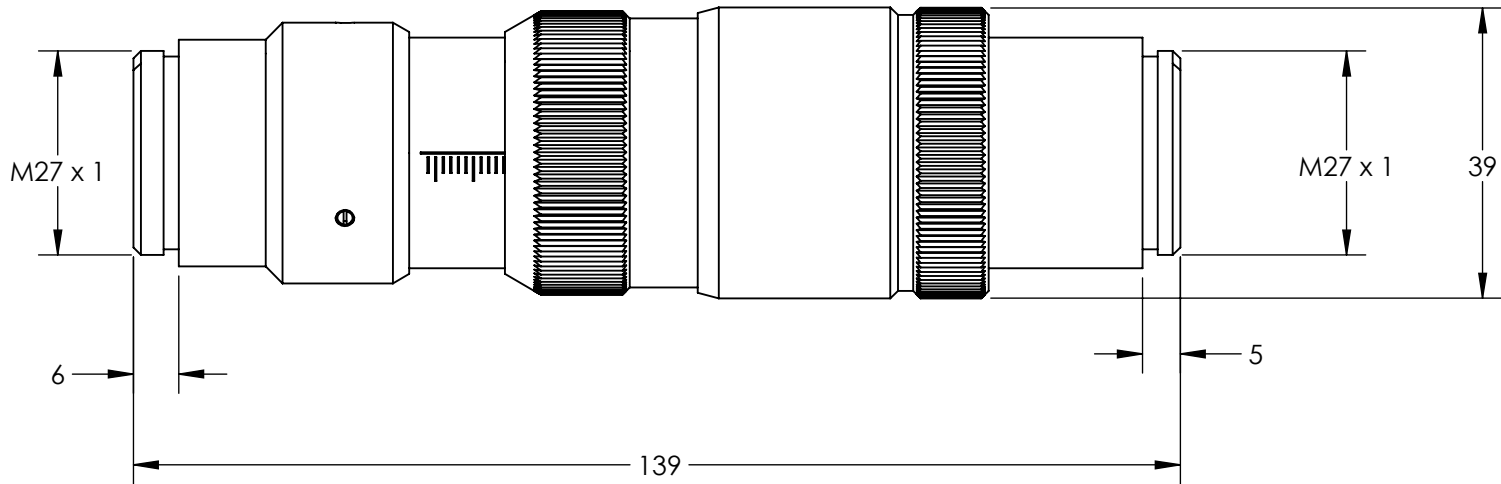
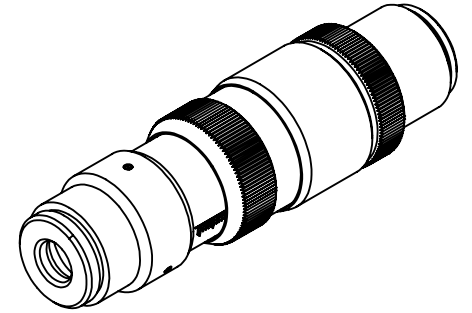


NOTES:

1. RoHS: NOT COMPLIANT

**FOR INFORMATION ONLY:
DO NOT MANUFACTURE
PARTS TO THIS DRAWING**



SPECIFICATIONS SUBJECT TO CHANGE WITHOUT NOTICE
DIMENSIONS ARE FOR REFERENCE ONLY



REV. A	VALUE
DESIGN WAVELENGTH DWL (nm)	266
INPUT DIAMETER	6.3 (1/e ²)
WAVELENGTH RANGE(nm)	250 - 275



ALL DIMS IN mm

TITLE	266nm Flat Top Beam Shaper πShaper 6_6_266		
DWG NO	34255	SHEET	1 OF 1