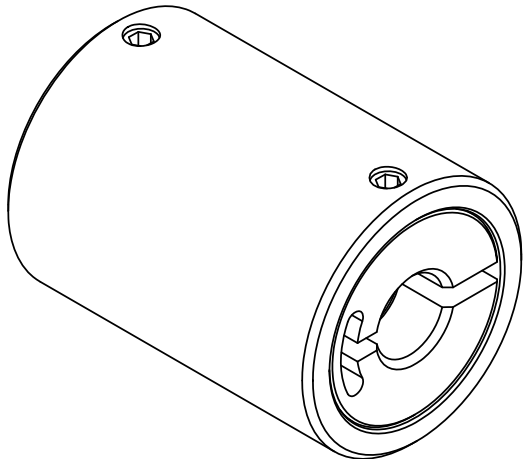
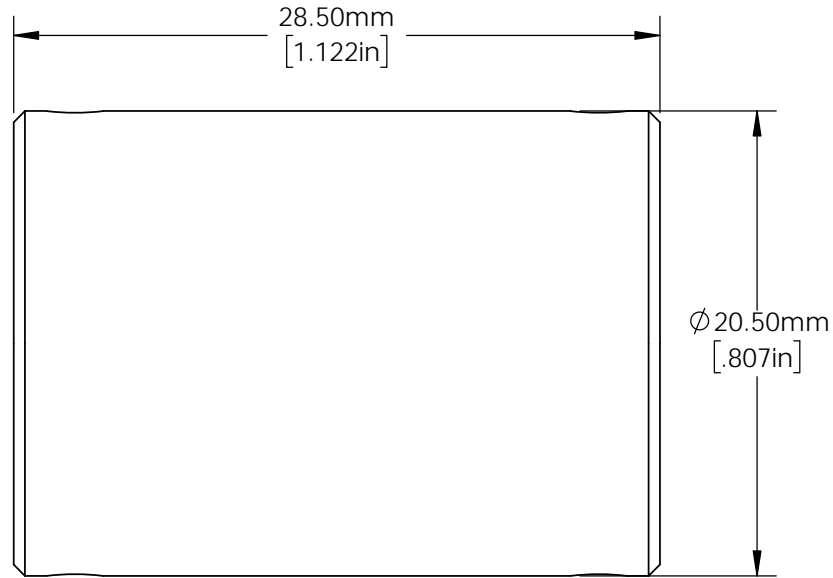


FOR INFORMATION ONLY:
DO NOT MANUFACTURE PARTS TO THIS DRAWING



SPECIFICATIONS SUBJECT TO CHANGE WITHOUT NOTICE
DIMENSIONS ARE FOR REFERENCE ONLY
DIMENSIONS ARE IN mm [INCHES]

EO[®] **Edmund Optics**[®]

TITLE	5mm Aperture, 30mm Length, Light Pipe Homogenizing Rod Mount	
DWG NO	64910	SHEET 1 OF 1