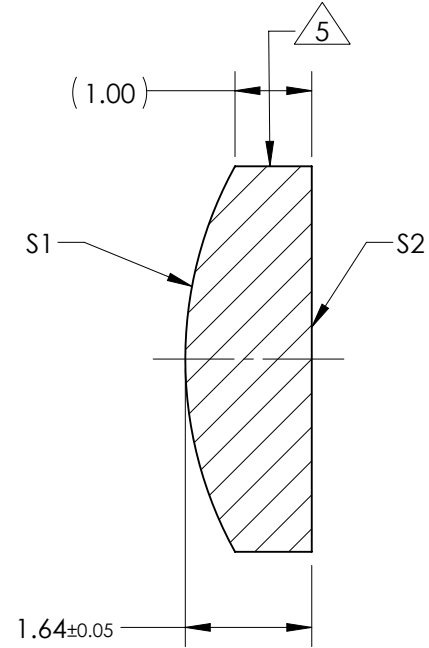
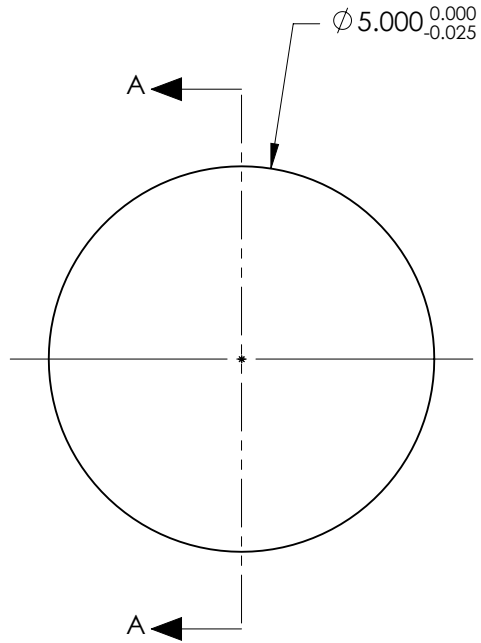


NOTES:

1. SUBSTRATE:  
GRADE A FINE ANNEALED  
SCHOTT: N-BK7 517/642
2. ROHS COMPLIANT
3. CENTERING TOLERANCE (AT 587.6nm):  
BEAM DEVIATION (HALF ANGLE): <3 ARCMIN
4. COATING (APPLY ACROSS COATING APERTURE)  
S1 & S2: 785nm V-COAT  
R(ABS) < 0.25% @ 785nm @ 0° AOI
5. FINE GRIND SURFACE
6. POWER, IRREGULARITY, AND SURFACE QUALITY SPECIFICATIONS APPLY ACROSS CLEAR APERTURE
7. FOCAL LENGTH (EFL): 10.00mm ±1%  
BACK FOCAL LENGTH (BFL): 8.92mm
8. PROTECTIVE BEVEL AS NEEDED
9. DESIGN WAVELENGTH: 587.6nm



SECTION A-A

**FOR INFORMATION ONLY:  
DO NOT MANUFACTURE  
PARTS TO THIS DRAWING**

|                         | S1         | S2         |
|-------------------------|------------|------------|
| SHAPE                   | CONVEX     | PLANO      |
| RADIUS                  | 5.17       | INFINITY   |
| SURFACE QUALITY         | 40 - 20    | 40 - 20    |
| MIN CLEAR APERTURE      | ∅ 4.50     | ∅ 4.50     |
| MIN COATING APERTURE    | ∅ 4.00     | ∅ 4.00     |
| POWER AT 632.8nm        | 3.00 RINGS | 3.00 RINGS |
| IRREGULARITY AT 632.8nm | 0.50 RINGS | 0.50 RINGS |

SPECIFICATIONS SUBJECT TO CHANGE WITHOUT NOTICE  
DIMENSIONS ARE FOR REFERENCE ONLY

**EO**® Edmund Optics®

|                        |    |        |  |
|------------------------|----|--------|--|
| THIRD ANGLE PROJECTION |    | TITLE  | 5.0mm Diameter x 10.0mm FL, 785nm V-Coat, PCX Lens |
| ALL DIMS IN            | mm | DWG NO | 89015  |
|                        |    |        | SHEET 1 OF 1                                       |