

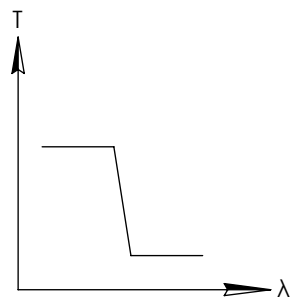
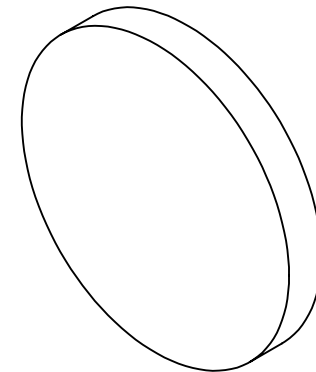
NOTES:

1. SUBSTRATE
2. SURFACE S2 TO BE PARALLEL WITH SURFACE S1 TO WITHIN  $\pm 3$  arcsec
3. COATING (APPLY ACROSS COATING APERTURE)  
 DURABILITY:  
 PERFORMANCE SPECIFICATIONS:  
 $T(\text{avg}) > 85\%$  @ AOI  $0^\circ$  FROM 810 - 1540nm  
 $T(\text{avg}) < 1\%$  @ AOI  $0^\circ$  FROM 1700 - 2025nm  
 $T(\text{avg}) = 50\%$  FOR AOI  $0^\circ$  @ 1600  $\pm 2\%$   
  
 S2: SINGLE LAYER MgF2

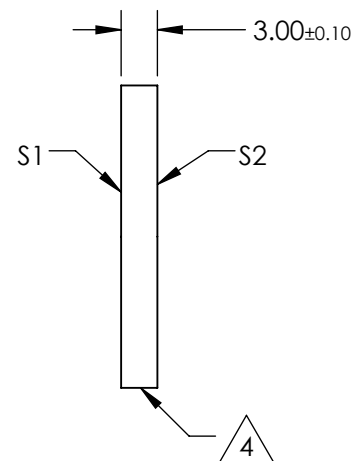
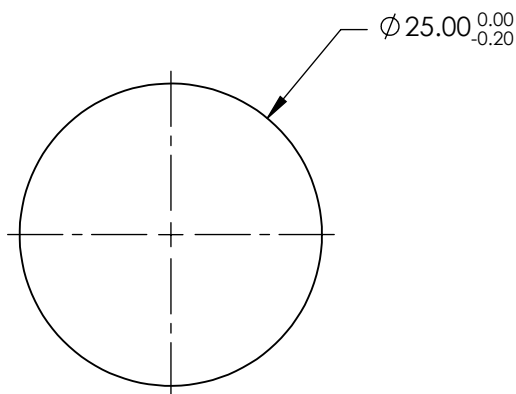
4. FINE GRIND SURFACE

5. POWER, IRREGULARITY, AND SURFACE QUALITY SPECIFICATIONS APPLY ACROSS CLEAR APERTURE
6. TRANSMITTED WAVEFRONT DISTORTION @ P-V @ 632.8nm 1/10  $\lambda$
7. ROHS COMPLIANT

**FOR INFORMATION ONLY:  
DO NOT MANUFACTURE  
PARTS TO THIS DRAWING**



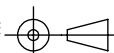
SHORTPASS FILTER



SPECIFICATIONS SUBJECT TO CHANGE WITHOUT NOTICE  
DIMENSIONS ARE FOR REFERENCE ONLY

| Rev. A          | S1                   | S2                   |
|-----------------|----------------------|----------------------|
| SHAPE           | PLANO                | PLANO                |
| SURFACE QUALITY | 40-20                | 40-20                |
| CLEAR APERTURE  | 80%                  | 80%                  |
| BEVEL           | PROTECTIVE AS NEEDED | PROTECTIVE AS NEEDED |

THIRD ANGLE PROJECTION



ALL DIMS IN

mm

**EO**® Edmund Optics®

TITLE

OD2, Ø25mm, 1600nm, SHORTPASS FILTER

DWG NO

84656

SHEET  
1 OF 1