

NOTES:

1. SUBSTRATE  
UV GRADE FUSED SILICA
2. SURFACE S2 TO BE PARALLEL WITH SURFACE S1 TO WITHIN 5 ARCSEC
3. COATING (APPLY ACROSS COATING APERTURE)

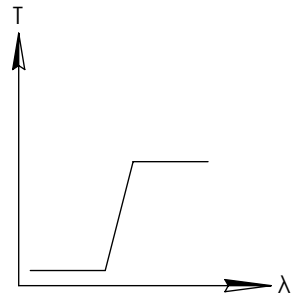
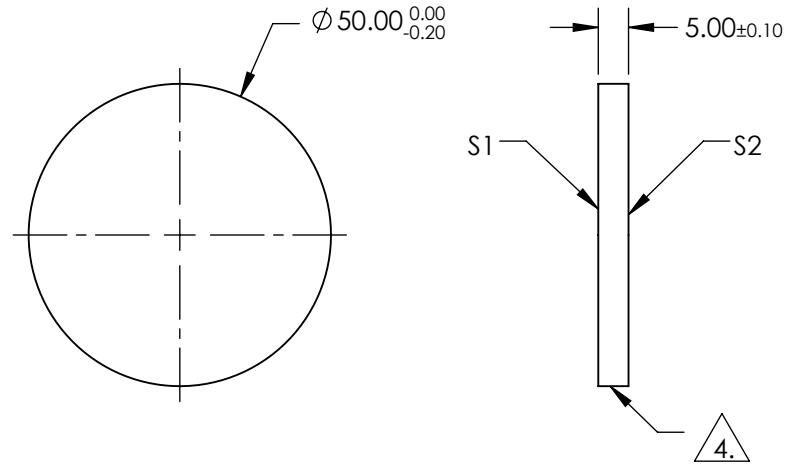
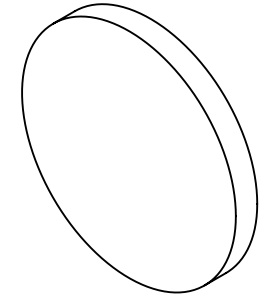
PERFORMANCE SPECIFICATIONS @ 0° AOI  
 T(AVG): >85% FROM 600 - 2000nm  
 T(AVG): < 1% FROM 440 - 540nm  
 T(ABS): = 50% 575nm @ 45° AOI

S1: MULTILAYER DIELECTRIC COATING  
 S2: SINGLE LAYER MgF2

4. FINE GRIND SURFACE

5. TRANSMITTED WAVEFRONT DISTORTION RMS@ 632.8nm ≤ ¼ WAVE
6. ROHS COMPLIANT

**FOR INFORMATION ONLY:  
 DO NOT MANUFACTURE  
 PARTS TO THIS DRAWING**

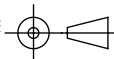


LONGPASS FILTER

SPECIFICATIONS SUBJECT TO CHANGE WITHOUT NOTICE  
 DIMENSIONS ARE FOR REFERENCE ONLY

|                  | S1                   | S2                   |
|------------------|----------------------|----------------------|
| SHAPE            | PLANO                | PLANO                |
| SURFACE QUALITY  | 40-20                | 40-20                |
| CLEAR APERTURE   | 80%                  | 80%                  |
| COATING APERTURE | Ø40.00               | Ø40.00               |
| BEVEL            | PROTECTIVE AS NEEDED | PROTECTIVE AS NEEDED |

THIRD ANGLE  
 PROJECTION



ALL DIMS IN

mm

**EO**® Edmund Optics®

TITLE

OD2, Ø50mm, 575nm LONGPASS FILTER

DWG NO

64635

SHEET  
 1 OF 1