

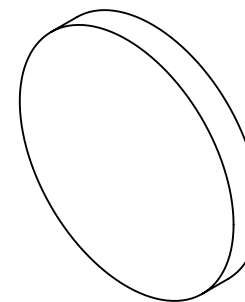
NOTES:

1. SUBSTRATE
UV GRADE FUSED SILICA
2. SURFACE S2 TO BE PARALLEL WITH SURFACE S1 TO WITHIN 5 ARCSEC
3. COATING (APPLY ACROSS COATING APERTURE)

PERFORMANCE SPECIFICATIONS @ 0° AOI
 T(AVG): >85% FROM 1085 - 2000nm
 T(AVG): < 1% FROM 790 - 1000nm
 T(ABS): = 50% @ 1050nm

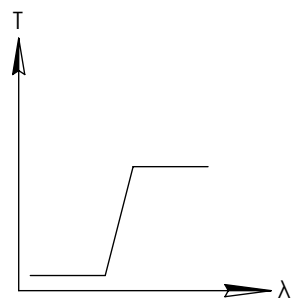
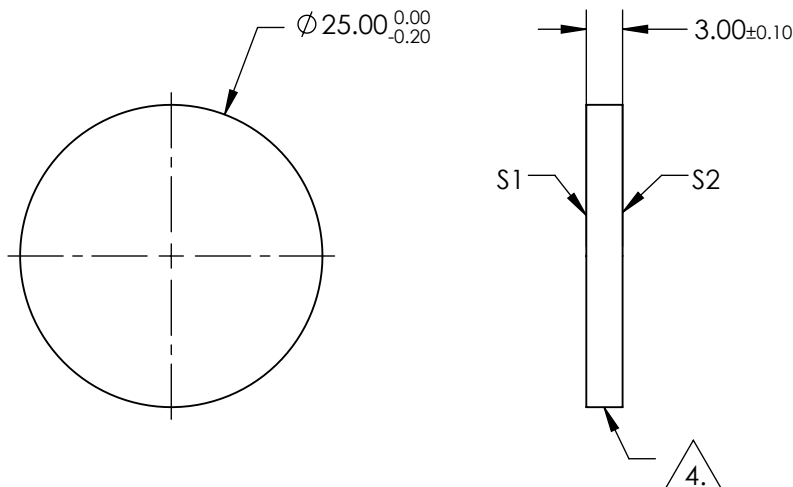
S1: MULTILAYER DIELECTRIC COATING
 S2: SINGLE LAYER MgF2

**FOR INFORMATION ONLY:
 DO NOT MANUFACTURE
 PARTS TO THIS DRAWING**



4. FINE GRIND SURFACE

5. TRANSMITTED WAVEFRONT DISTORTION RMS@ 632.8nm ≤ ¼ WAVE
6. ROHS COMPLIANT



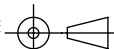
LONGPASS FILTER

SPECIFICATIONS SUBJECT TO CHANGE WITHOUT NOTICE
 DIMENSIONS ARE FOR REFERENCE ONLY

| | S1 | S2 |
|------------------|----------------------|----------------------|
| SHAPE | PLANO | PLANO |
| SURFACE QUALITY | 40-20 | 40-20 |
| CLEAR APERTURE | 80% | 80% |
| COATING APERTURE | Ø20.00 | Ø20.00 |
| BEVEL | PROTECTIVE AS NEEDED | PROTECTIVE AS NEEDED |

EO® Edmund Optics®

THIRD ANGLE
 PROJECTION



TITLE

OD2, Ø25mm, 1050nm LONGPASS FILTER

DWG NO

48564

ALL DIMS IN

mm

SHEET
 1 OF 1