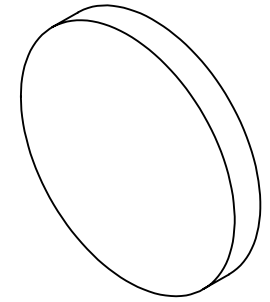


**FOR INFORMATION ONLY:  
DO NOT MANUFACTURE  
PARTS TO THIS DRAWING**



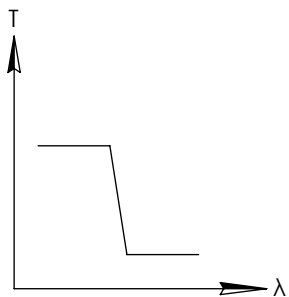
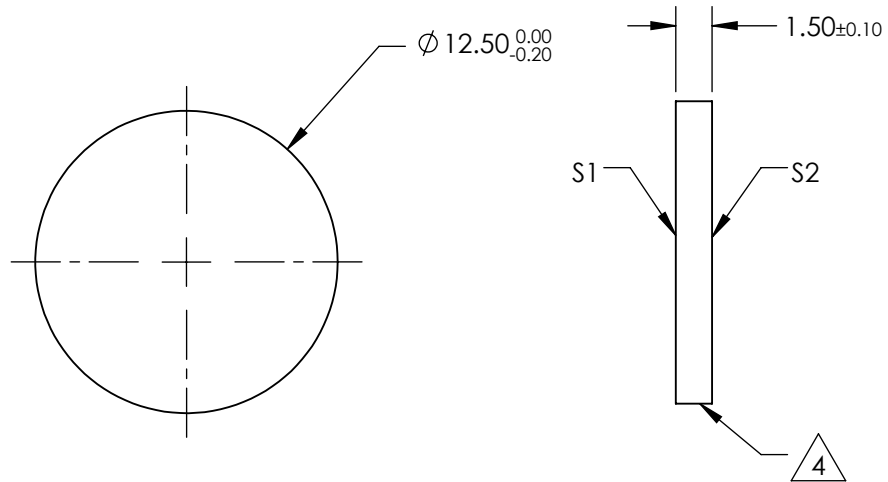
NOTES:

1. SUBSTRATE
2. SURFACE S2 TO BE PARALLEL WITH SURFACE S1 TO WITHIN  $\pm 3$  arcsec
3. COATING (APPLY ACROSS COATING APERTURE)  
DURABILITY:  
PERFORMANCE SPECIFICATIONS:  
T(avg):  $>85\%$  @ AOI  $0^\circ$  FROM 450 - 910nm  
T(avg):  $<1\%$  @ AOI  $0^\circ$  FROM 1025 - 1235nm  
T(avg):  $\approx 50\%$  FOR AOI  $0^\circ$  @ 950nm  $\pm 2\%$

S2: SINGLE LAYER MgF2

 4. FINE GRIND SURFACE

5. POWER, IRREGULARITY, AND SURFACE QUALITY SPECIFICATIONS  
APPLY ACROSS CLEAR APERTURE
6. TRANSMITTED WAVEFRONT DISTORTION P-V @ 632.8nm  $1/10 \lambda$
7. ROHS COMPLIANT



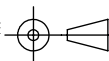
SHORTPASS FILTER

SPECIFICATIONS SUBJECT TO CHANGE WITHOUT NOTICE  
DIMENSIONS ARE FOR REFERENCE ONLY

Rev. A	S1	S2
SHAPE	PLANO	PLANO
SURFACE QUALITY	40-20	40-20
CLEAR APERTURE	$\varnothing 10$	$\varnothing 10$
BEVEL	PROTECTIVE AS NEEDED	PROTECTIVE AS NEEDED

 **Edmund Optics<sup>®</sup>**

THIRD ANGLE  
PROJECTION



TITLE

OD2,  $\varnothing 12.5$ mm, 950nm, SHORTPASS FILTER

ALL DIMS IN

mm

DWG NO

47821

SHEET  
1 OF 1