

NOTES:

**FOR INFORMATION ONLY:
DO NOT MANUFACTURE
PARTS TO THIS DRAWING**

1. SUBSTRATE
SAPPHIRE (Al₂O₃)
2. SURFACE S2 TO BE PARALLEL WITH SURFACE S1 TO WITHIN ≤3.5 ARCMIN
3. COATING (APPLY ACROSS CLEAR APERTURE)

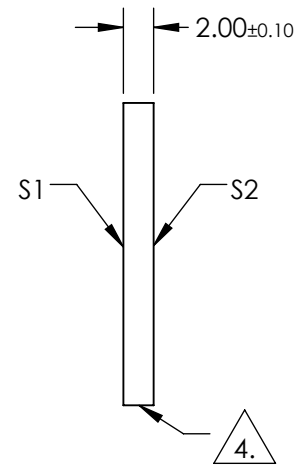
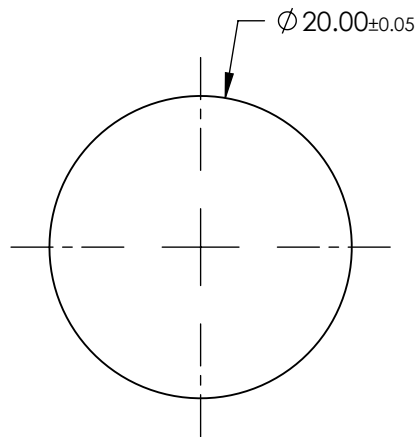
S1: NONE

S2: NONE

 FINE GRIND SURFACE

4. POWER, IRREGULARITY, AND SURFACE QUALITY SPECIFICATIONS
APPLY ACROSS CLEAR APERTURE

5. ROHS COMPLIANT



	S1	S2
SHAPE	PLANO	PLANO
CLEAR APERTURE	Ø18	Ø18
SURFACE FLATNESS	2λ	2λ
SURFACE ROUGHNESS	0.1 MICRONS PER INCH	0.1 MICRONS PER INCH
SURFACE QUALITY	80-50	80-50
BIREFRINGENCE (n _o -n _e)	0.008	0.008
BEVEL	PROTECTIVE AS NEEDED	PROTECTIVE AS NEEDED

SPECIFICATIONS SUBJECT TO CHANGE WITHOUT NOTICE
DIMENSIONS ARE FOR REFERENCE ONLY

 **Edmund Optics®**



ALL DIMS IN

mm

TITLE

20mm DIAMETER UNCOATED, SAPPHIRE
WINDOW

DWG NO

43368

SHEET
1 OF 1