

NOTES:

1. SUBSTRATE: UV GRADE FUSED SILICA
2. COATING (APPLY ACROSS COATING APERTURE)

DURABILITY: MIL-C-48497A, SECT. 3.4.1

PERFORMANCE SPECIFICATIONS @ 0° AOI

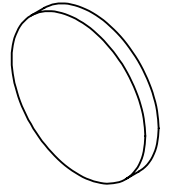
T(AVG): ≥91% FROM 300 - 441nm

T(AVG): ≤0.01% FROM 460 - 660nm

CUT-OFF SLOPE: <1%

CUT-OFF WAVELENGTH: 450nm ± 1%

**FOR INFORMATION ONLY:  
DO NOT MANUFACTURE  
PARTS TO THIS DRAWING**

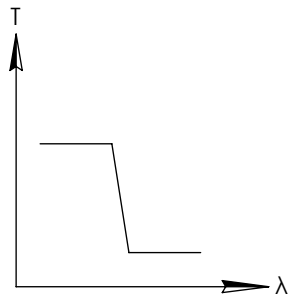
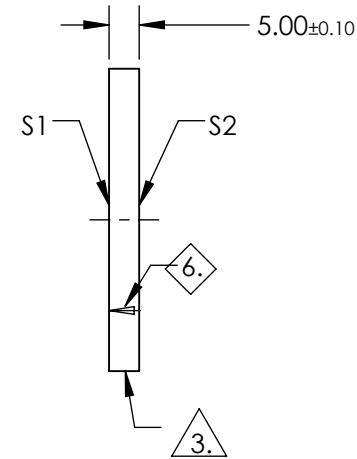
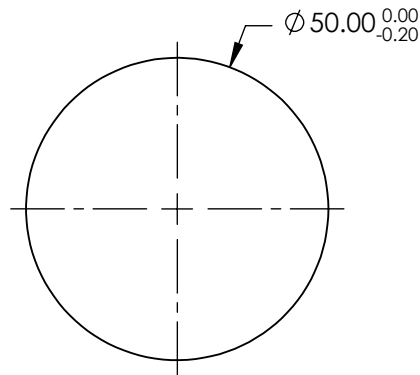


3. FINE GRIND SURFACE

4. TRANSMITTED WAVEFRONT DISTORTION RMS @ 632.8nm ≤ 1/4 λ

5. ROHS COMPLIANT

6. ARROW POINTS TOWARDS THE FILTER COATED SURFACE



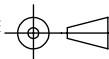
SHORTPASS FILTER

SPECIFICATIONS SUBJECT TO CHANGE WITHOUT NOTICE  
DIMENSIONS ARE FOR REFERENCE ONLY

**EO**® Edmund Optics®

	S1	S2
SHAPE	PLANO	PLANO
SURFACE QUALITY	60-40	60-40
CLEAR APERTURE	>80%	>80%
BEVEL	PROTECTIVE AS NEEDED	PROTECTIVE AS NEEDED

THIRD ANGLE PROJECTION



ALL DIMS IN

mm

TITLE

450nm 50mm Diameter, OD 4 Shortpass Filter

DWG NO

84717

SHEET  
1 OF 1