

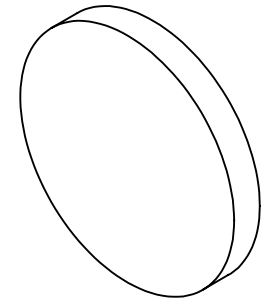
NOTES:

1. SUBSTRATE: UV GRADE FUSED SILICA
2. COATING (APPLY ACROSS COATING APERTURE)

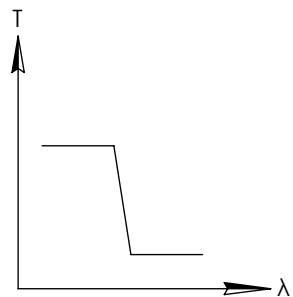
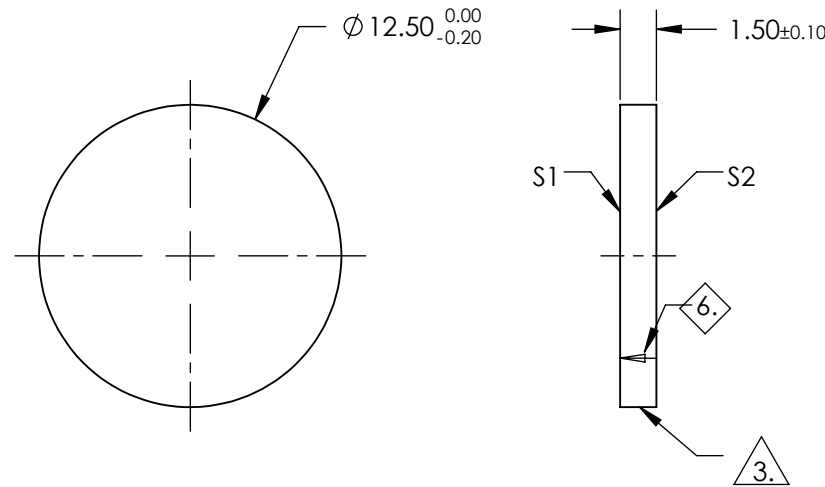
DURABILITY: MIL-C-48497A, SECT. 3.4.1

PERFORMANCE SPECIFICATIONS @ 0° AOI
 T(AVG): ≥91% FROM 400 - 685nm
 T(AVG): ≤ 0.01 % FROM 715 - 1050nm
 CUT-OFF SLOPE: <1%
 CUT-OFF WAVELENGTH: 700nm ±1%

**FOR INFORMATION ONLY:
 DO NOT MANUFACTURE
 PARTS TO THIS DRAWING**



- 3. FINE GRIND SURFACE
- 4. TRANSMITTED WAVEFRONT DISTORTION RMS @ 632.8nm ≤ ¼ λ
- 5. ROHS COMPLIANT
- 6. ARROW POINTS TOWARDS THE FILTER COATED SURFACE

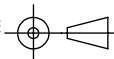


SHORTPASS FILTER

SPECIFICATIONS SUBJECT TO CHANGE WITHOUT NOTICE
 DIMENSIONS ARE FOR REFERENCE ONLY

	S1	S2
SHAPE	PLANO	PLANO
SURFACE QUALITY	60-40	60-40
CLEAR APERTURE	>80%	>80%
BEVEL	PROTECTIVE AS NEEDED	PROTECTIVE AS NEEDED

THIRD ANGLE PROJECTION



ALL DIMS IN

mm

EO® **Edmund Optics**®

TITLE

700nm 12.5mm Diameter, OD 4 Shortpass Filter

DWG NO

84701

SHEET
1 OF 1