

TECHSPEC® RefIX™ OBJECTIVES

#89-722 • 30.56mm WD • 10X/0.22NA
DUV ENHANCED ALUMINUM

Reflective Objectives are commonly used in applications requiring superior image quality or focusing performance over a broad spectral range. The schwarzschild-style objective exhibits near-diffraction limited performance over the full reflecting range of the chosen coating. By eliminating the problems of chromatic aberration and material absorption associated with standard microscope objectives, these components are ideal for applications requiring high throughput and excellent resolution in the UV or IR, including FTIR spectroscopy, ellipsometry, photolithography, and semiconductor inspection.



Style:	Infinity Corrected
Magnification:	10X
Numerical Aperture NA:	0.22
Working Distance (mm):	30.56
Focal Length FL (mm):	19.3
Field of View, 2/3" Sensor:	0.88 x 0.66mm
Field of View, 1/2" Sensor:	0.64 x 0.48mm
Transmitted Wavefront, RMS:	$\lambda/10$
Obscuration (%):	27
Entrance Pupil (mm):	8.4921 (Diameter)

Aperture Diameter (mm):	8.6
Diameter of Small Mirror (mm):	8.9
Reflection (%):	0.88
Coating:	DUV Enhanced Aluminum
Coating Specification:	$R_{avg} > 88\% @ 190\text{nm} - 11\mu\text{m}$
Mounting Threads:	RMS
Type:	Microscope Objective
Wavelength Range (μm):	0.15 - 11
Wavelength Range (nm):	150 - 11000
Manufacturer:	EO

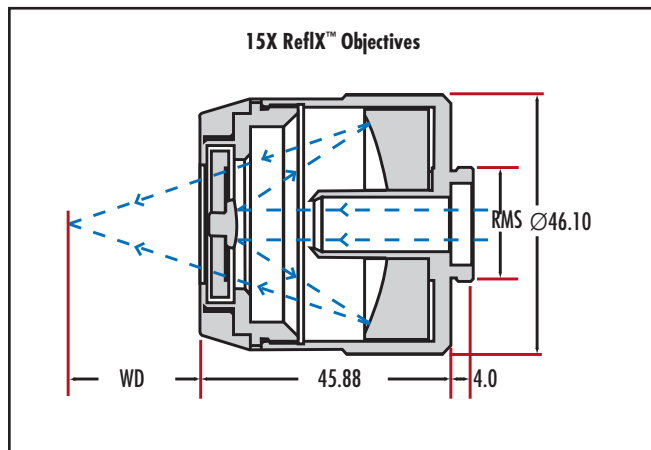


Figure 1: Dimensions of Objective.

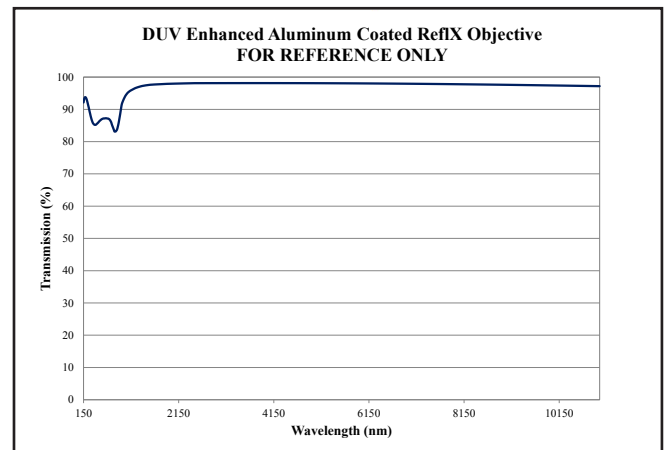


Figure 2: Spectral Reflectance Curve.