

TECHSPEC® RefIX™ OBJECTIVES

#59-884 • 23.75mm WD • 15X/0.28NA
DUV ENHANCED ALUMINUM

Reflective Objectives are commonly used in applications requiring superior image quality or focusing performance over a broad spectral range. The schwarzschild-style objective exhibits near-diffraction limited performance over the full reflecting range of the chosen coating. By eliminating the problems of chromatic aberration and material absorption associated with standard microscope objectives, these components are ideal for applications requiring high throughput and excellent resolution in the UV or IR, including FTIR spectroscopy, ellipsometry, photolithography, and semiconductor inspection.



Style:	Infinity Corrected
Magnification:	15X
Numerical Aperture NA:	0.28
Working Distance (mm):	23.75
Focal Length FL (mm):	13.3
Field of View, 2/3" Sensor:	0.59 x 0.44mm
Field of View, 1/2" Sensor:	0.43 x 0.32mm
Transmitted Wavefront, RMS:	0.25λ
Obscuration (%):	27
Entrance Pupil (mm):	7.4 (Diameter)

Aperture Diameter (mm):	8.5
Diameter of Small Mirror (mm):	8.8
Reflection (%):	>88
Coating:	DUV Enhanced Aluminum
Coating Specification:	$R_{avg} >88\% @ 190nm - 11\mu m$
Mounting Threads:	RMS
Type:	Microscope Objective
Wavelength Range (μm):	0.15 - 11
Wavelength Range (nm):	150 - 11000
Manufacturer:	EO

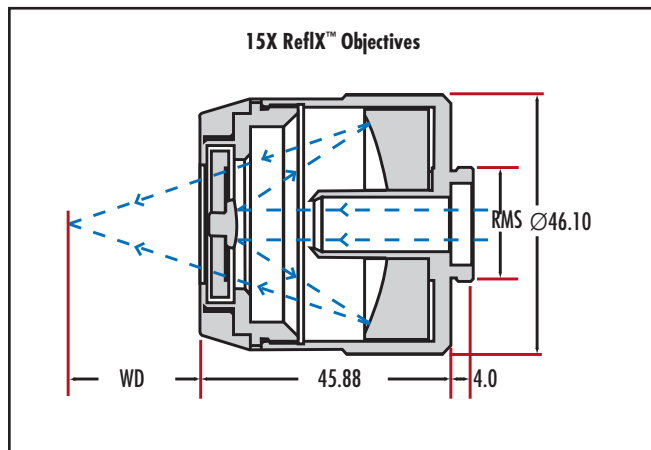


Figure 1: Dimensions of Objective.

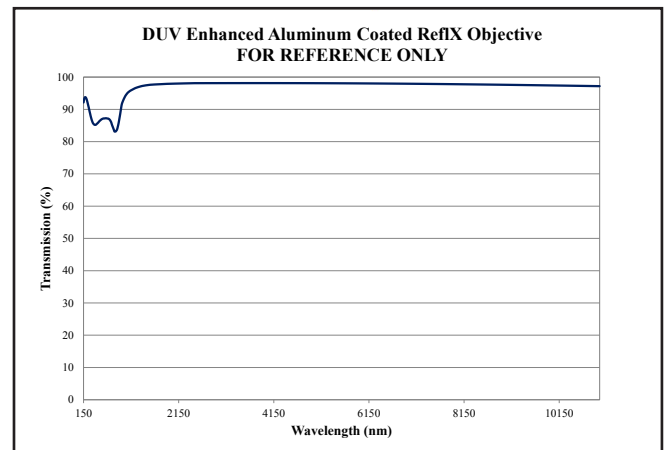


Figure 2: Spectral Reflectance Curve.