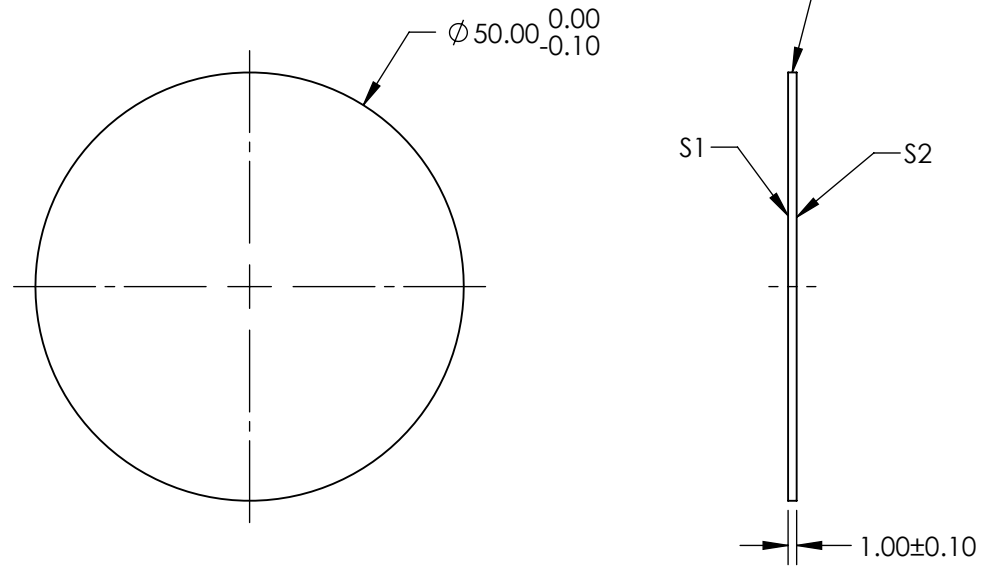



NOTES:

1. SUBSTRATE MATERIAL:  
OPTICAL GRADE GERMANIUM
2. SURFACE S2 TO BE PARALLEL TO SURFACE S1 WITHIN 1 ARCMIN
3. COATING (APPLY ACROSS CLEAR APERTURE)  
S1 & S2: R(AVG) < 3% FROM 3.0 TO 5.0  $\mu\text{m}$
4. FINE GROUND SURFACE
5. PROTECTIVE BEVEL AS NEEDED



**FOR INFORMATION ONLY:  
DO NOT MANUFACTURE  
PARTS TO THIS DRAWING**

SPECIFICATIONS SUBJECT TO CHANGE WITHOUT NOTICE  
DIMENSIONS ARE FOR REFERENCE ONLY

	S1	S2	 <b>Edmund Optics®</b>		TITLE 50mm Dia. x 1.0mm Thick 3-5 $\mu\text{m}$ AR Coating, Ge Window	DWG NO 89568	SHEET 1 OF 1
SHAPE	PLANO	PLANO					
SURFACE ACCURACY AT 10.6 $\mu\text{m}$ (P-V)	1/10 WAVE	1/10 WAVE					
SURFACE QUALITY	60 - 40	60 - 40					
MIN CLEAR APERTURE	$\phi$ 45.0	$\phi$ 45.0					
			ALL DIMS IN	mm			