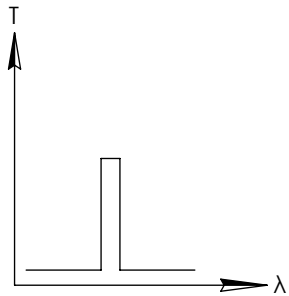
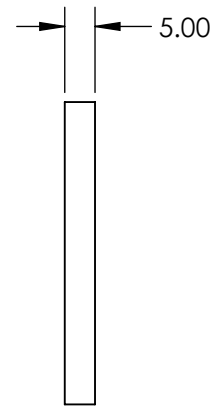
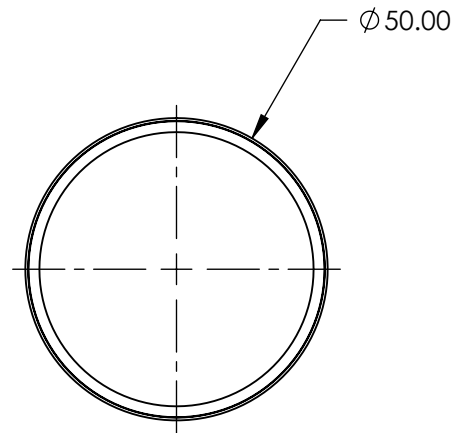
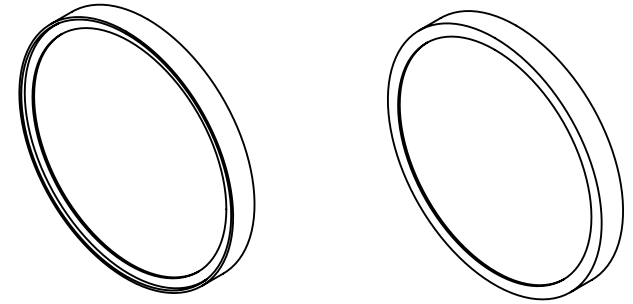


**FOR INFORMATION ONLY:
DO NOT MANUFACTURE
PARTS TO THIS DRAWING**



BANDPASS FILTER

| REV. A | VALUE |
|----------------------------|--------------|
| CENTER WAVELENGTH (CWL) | 825 ± 3 nm |
| FULL WIDTH HALF MAX (FWHM) | 25 ± 3 nm |
| MINIMUM TRANSMISSION | >90 |
| BLOCKING | 200 - 1200nm |
| SURFACE QUALITY | 80-50 |
| COATING TYPE | HARD COATED |
| DURABILITY | MIL-C-48497A |
| ENVIRONMENTAL | MIL-STD-810F |

SPECIFICATIONS SUBJECT TO CHANGE WITHOUT NOTICE
DIMENSIONS ARE FOR REFERENCE ONLY



| | | | |
|------------------------|----|--------|--|
| THIRD ANGLE PROJECTION | | TITLE | OD4, Ø50mm, 825nm x 25nm, HD BANDPASS FILTER |
| ALL DIMS IN | mm | DWG NO | 87807 |
| | | | SHEET 1 OF 1 |