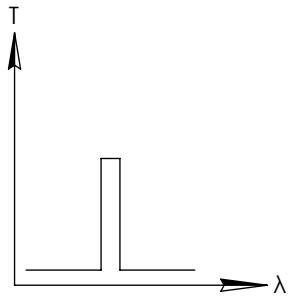
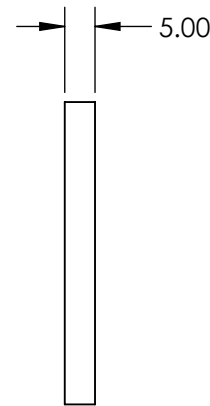
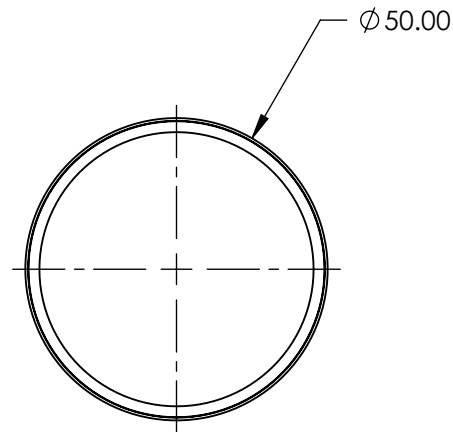
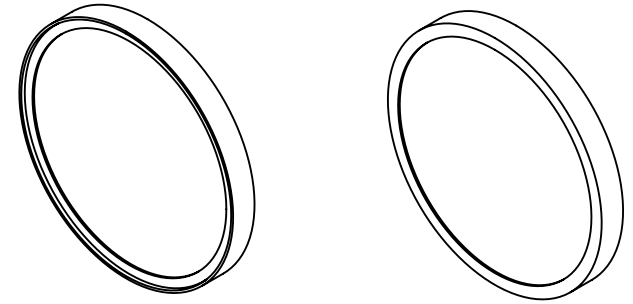


**FOR INFORMATION ONLY:
DO NOT MANUFACTURE
PARTS TO THIS DRAWING**



BANDPASS FILTER

REV. A	VALUE
CENTER WAVELENGTH (CWL)	800 ± 3 nm
FULL WIDTH HALF MAX (FWHM)	25 ± 3 nm
MINIMUM TRANSMISSION	≥90
BLOCKING	200 - 1200nm
SURFACE QUALITY	80-50
COATING TYPE	HARD COATED
DURABILITY	MIL-C-48497A
ENVIRONMENTAL	MIL-STD-810F

SPECIFICATIONS SUBJECT TO CHANGE WITHOUT NOTICE
DIMENSIONS ARE FOR REFERENCE ONLY

EO® **Edmund Optics**®



THIRD ANGLE
PROJECTION

TITLE OD4, Ø50mm, 800nm x 25nm, HD BANDPASS
FILTER

ALL DIMS IN

mm

DWG NO

86672

SHEET
1 OF 1