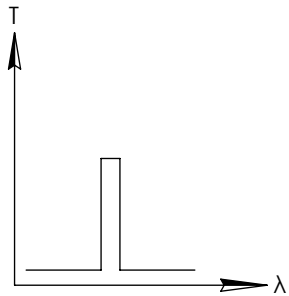
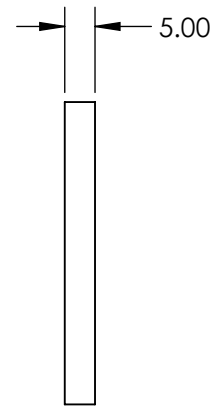
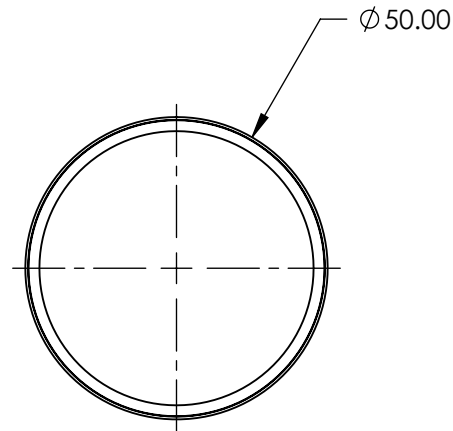
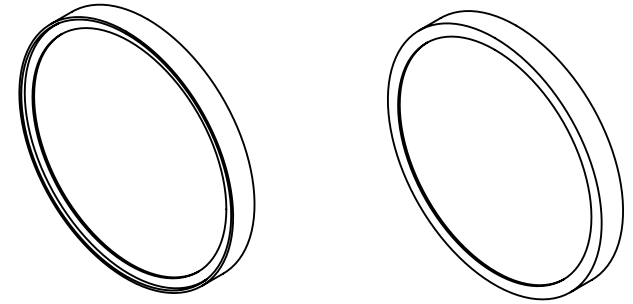


**FOR INFORMATION ONLY:
DO NOT MANUFACTURE
PARTS TO THIS DRAWING**



BANDPASS FILTER

| REV. A | VALUE |
|----------------------------|--------------|
| CENTER WAVELENGTH (CWL) | 400 ± 3 nm |
| FULL WIDTH HALF MAX (FWHM) | 25 ± 3 nm |
| MINIMUM TRANSMISSION | ≥90 |
| BLOCKING | 200 - 1200nm |
| SURFACE QUALITY | 80-50 |
| COATING TYPE | HARD COATED |
| DURABILITY | MIL-C-48497A |
| ENVIRONMENTAL | MIL-STD-810F |

SPECIFICATIONS SUBJECT TO CHANGE WITHOUT NOTICE
DIMENSIONS ARE FOR REFERENCE ONLY

EO® **Edmund Optics**®



THIRD ANGLE
PROJECTION

| | | | |
|--------|--|-------|--------|
| TITLE | OD4, Ø50mm, 400nm x 25nm, HD BANDPASS FILTER | | |
| DWG NO | 86664 | SHEET | 1 OF 1 |

ALL DIMS IN

mm