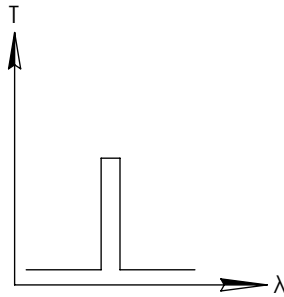
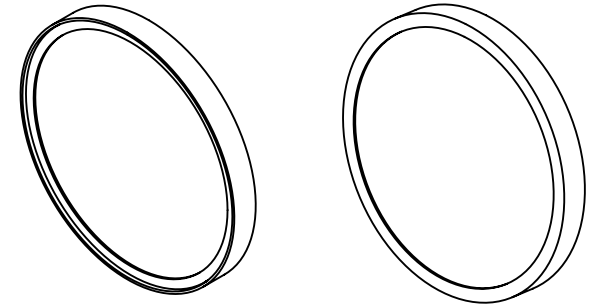
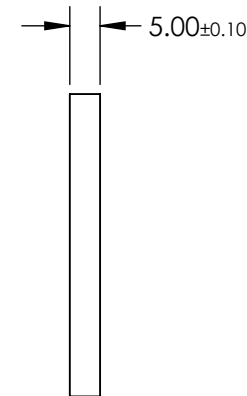
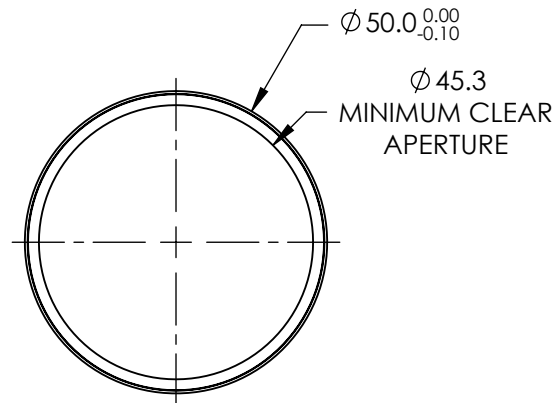


**FOR INFORMATION ONLY:  
DO NOT MANUFACTURE  
PARTS TO THIS DRAWING**



BANDPASS FILTER



REV. 001	VALUE
CENTER WAVELENGTH (CWL)	$1550 \pm 2\text{nm}$
FULL WIDTH HALF MAX (FWHM)	$10 \pm 2\text{nm}$
MINIMUM TRANSMISSION	$\geq 85\%$
BLOCKING	200 - 1800nm
SURFACE QUALITY	80-50
CONSTRUCTION	MOUNTED IN BLACK ANODIZED ALUMINUM RING
COATING TYPE	HARD COATED
DURABILITY	MIL-C-48497A, SECT. 3.4.1
ENVIRONMENTAL	MIL-STD-801F, SECT. 507.4

SPECIFICATIONS SUBJECT TO CHANGE WITHOUT NOTICE  
DIMENSIONS ARE FOR REFERENCE ONLY

**EO**® Edmund Optics®



ALL DIMS IN

mm

TITLE

OD4,  $\varnothing 50\text{mm}$ , 1550nm x 10nm, HC, BP FILTER

DWG NO

86094

SHEET  
1 OF 1