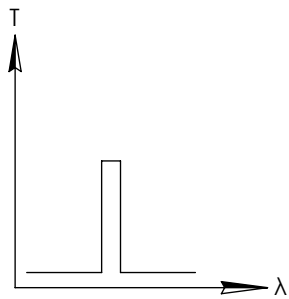
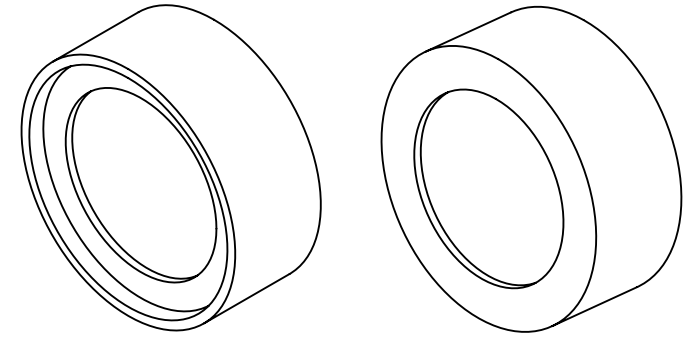
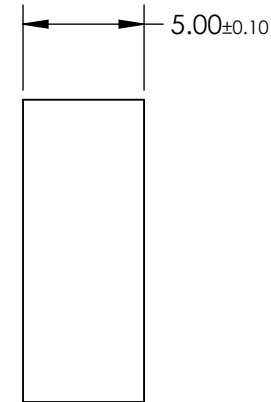
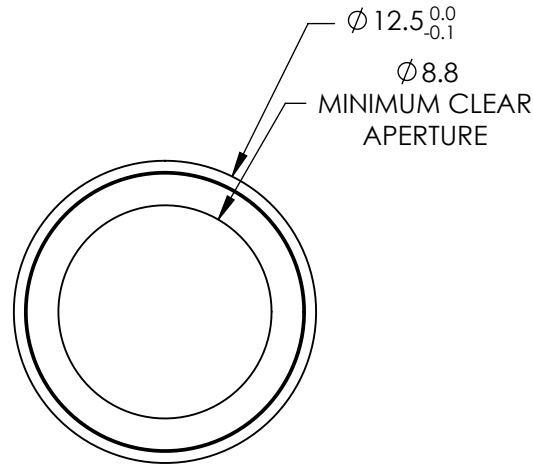


**FOR INFORMATION ONLY:
DO NOT MANUFACTURE
PARTS TO THIS DRAWING**



BANDPASS FILTER



| REV. 001 | VALUE |
|----------------------------|---|
| CENTER WAVELENGTH (CWL) | $1550 \pm 2\text{nm}$ |
| FULL WIDTH HALF MAX (FWHM) | $10 \pm 2\text{nm}$ |
| MINIMUM TRANSMISSION | $\geq 85\%$ |
| BLOCKING | 200 - 1800nm |
| SURFACE QUALITY | 80-50 |
| CONSTRUCTION | MOUNTED IN BLACK ANODIZED ALUMINUM RING |
| COATING TYPE | HARD COATED |
| DURABILITY | MIL-C-48497A SECTION 3.4.1 |
| ENVIRONMENTAL | MIL-STD-801F, SECT. 507.4 |

SPECIFICATIONS SUBJECT TO CHANGE WITHOUT NOTICE
DIMENSIONS ARE FOR REFERENCE ONLY

EO® Edmund Optics®



ALL DIMS IN

mm

TITLE

OD4, Ø12.5mm, 1550nm x 10nm, HC, BP
FILTER

DWG NO

86088

SHEET
1 OF 1