

NOTES:

1. ALLOWABLE OPTICAL MATERIAL:

SCHOTT: N-SF5 673/323

2. CENTERING TOLERANCE (AT 587.6nm):
IMAGE RUNOUT: 0.1mm

3. COATING (APPLY ACROSS CLEAR APERTURE)

S1 & S2: 1/4 Wave MgF2@550nm
R(avg) ≤1.5% FROM 400-700nm (BK7)

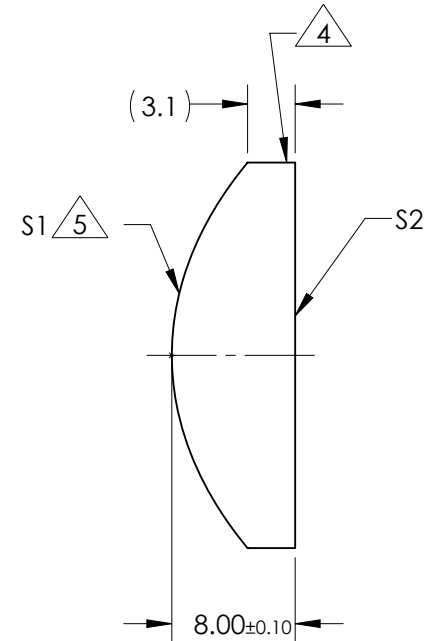
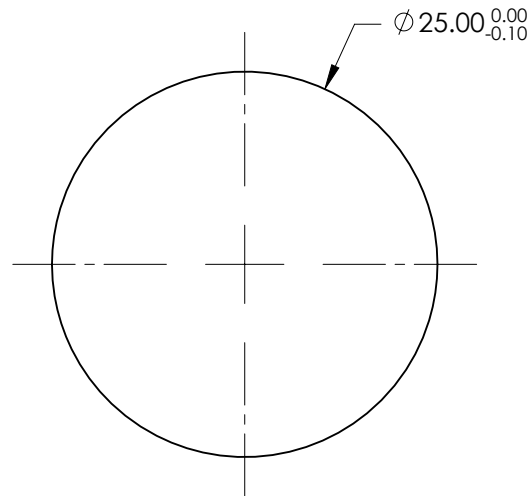
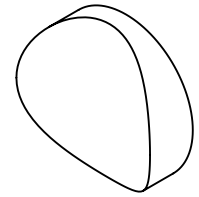
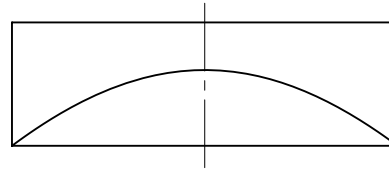
4. FINE GRIND SURFACE

5. ASPHERIC SURFACE:

$$Z(Y) = \frac{C*Y^2}{1+\sqrt{1-(1+k)*C^2*Y^2}} + D*Y^2 + E*Y^4 + F*Y^6 + G*Y^8 + H*Y^{10} + J*Y^{12} + L*Y^{14}$$


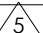
C = -0.059460102
k =
D = 0
E = 8.189374E-06
F = 2.7530379E-09
G = -7.366623E-12
H = 0
J = 0
L = 0

SURFACE ACCURACY: ≤ 1 μm RMS



**FOR INFORMATION ONLY:
DO NOT MANUFACTURE
PARTS TO THIS DRAWING**

SPECIFICATIONS SUBJECT TO CHANGE WITHOUT NOTICE
DIMENSIONS ARE FOR REFERENCE ONLY

	S1	S2	EFL (AT 587.6nm)	25.0	 Edmund Optics®	
SHAPE	CONVEX	PLANO	BFL (AT 587.6nm)	20.2		
RADIUS	16.818±0.100 	INFINITY	ALL DIMS IN	mm	DWG NO	86037
SURFACE QUALITY	60 - 40	60 - 40				
CLEAR APERTURE	Ø 22.50	Ø 22.50				
BEVEL MAX FACE	0.25 x 45°	0.25 x 45°				
SHEET 1 OF 1						