

NOTES:

1. ALLOWABLE OPTICAL MATERIAL:

SCHOTT: N-SF5 673/323

2. CENTERING TOLERANCE (AT 587.6nm):  
IMAGE RUNOUT: 0.1mm

3. COATING (APPLY ACROSS CLEAR APERTURE)

S1 & S2: 1/4 Wave MgF2@550nm  
R(avg) ≤1.5% FROM 400-700nm (BK7)

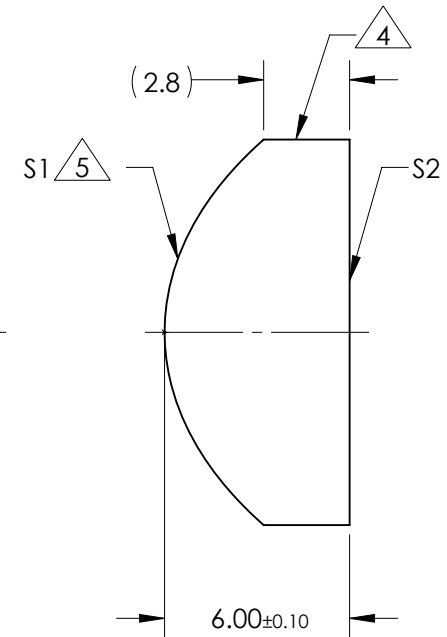
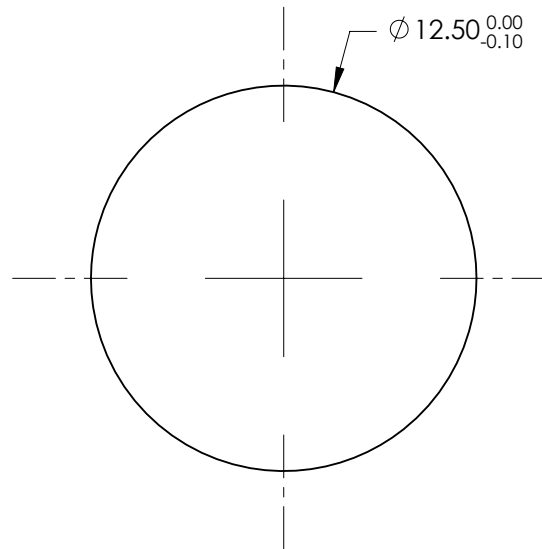
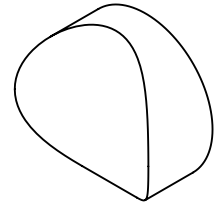
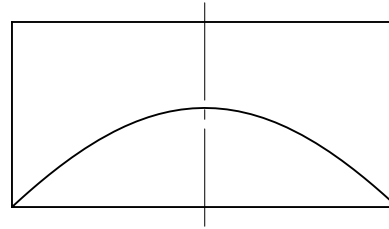
4. FINE GRIND SURFACE

5. ASPHERIC SURFACE:

$$Z(Y) = \frac{C*Y^2}{1 + \sqrt{1 - (1+k)*C^2*Y^2}} + D*Y^2 + E*Y^4 + F*Y^6 + G*Y^8 + H*Y^{10} + J*Y^{12} + L*Y^{14}$$


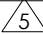
C = -0.14865467519  
k = -1.009457  
D = 0  
E = 1.8886865E-04  
F = 6.7138861E-07  
G = -5.3990906E-09  
H = 0  
J = 0  
L = 0

SURFACE ACCURACY: ≤ 1 μm RMS



**FOR INFORMATION ONLY:  
DO NOT MANUFACTURE  
PARTS TO THIS DRAWING**

SPECIFICATIONS SUBJECT TO CHANGE WITHOUT NOTICE  
DIMENSIONS ARE FOR REFERENCE ONLY

	S1	S2	EFL (AT 587.6nm)	10.00	 <b>Edmund Optics®</b>	
SHAPE	CONVEX	PLANO	BFL (AT 587.6nm)	6.4		
RADIUS	6.727±0.100 	INFINITY	ALL DIMS IN	mm	DWG NO	86034
SURFACE QUALITY	60 - 40	60 - 40				
CLEAR APERTURE	Ø 11.25	Ø 11.25				
BEVEL MAX FACE	0.25 x 45°	0.25 x 45°				
SHEET 1 OF 1						