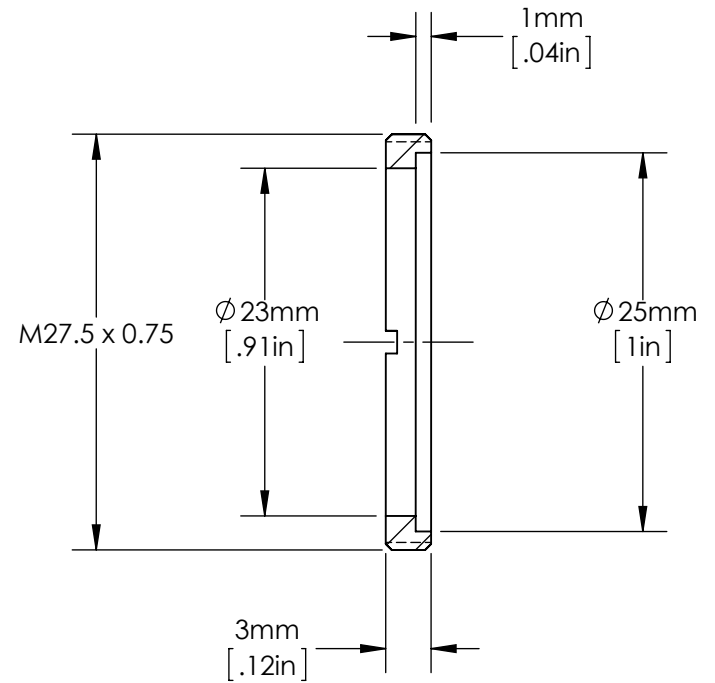
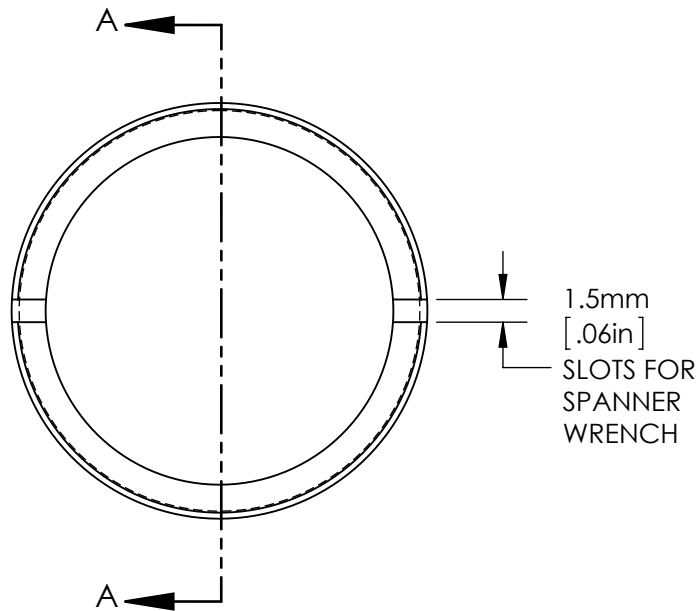
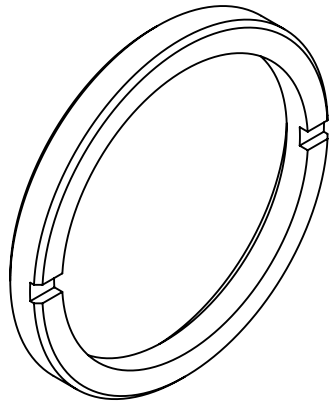


SPECIFICATIONS SUBJECT TO CHANGE WITHOUT NOTICE  
 DIMENSIONS ARE FOR REFERENCE ONLY  
 DIMENSIONS ARE IN mm [INCHES]



SECTION A-A

NOTES:

1. RETAINING RINGS SOLD IN PAIRS.



TITLE	M27.5 Retaining Ring Pair for 25mm Diameter Optics				
DWG NO	85597	MATERIAL	BLACK ANODIZED ALUMINUM	SHEET 1 OF 1	REV 000