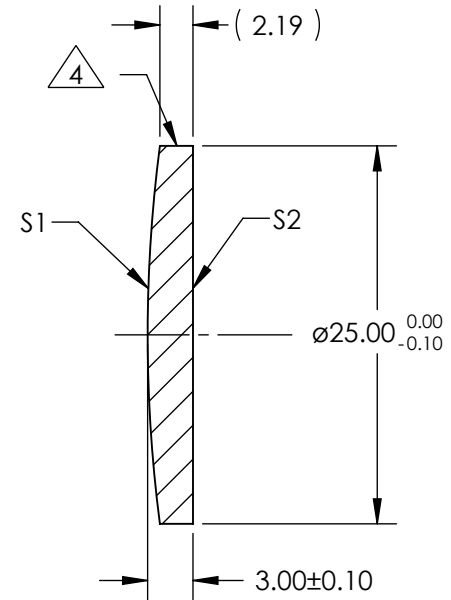
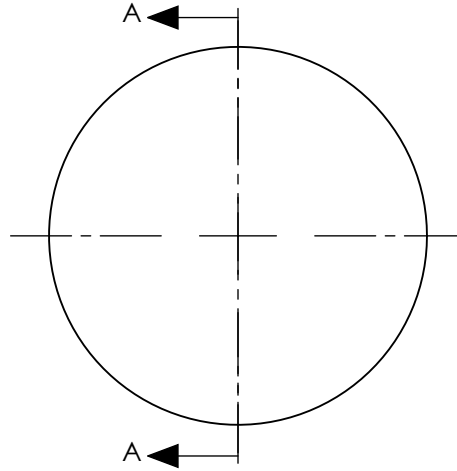


NOTES:

1. ALLOWABLE OPTICAL MATERIAL:
OPTICAL GRADE SILICON
2. CENTERING TOLERANCE: <3 ARCMIN
3. COATING (APPLY ACROSS CLEAR APERTURE)


S1: NONE
S2: NONE

4. FINE GRIND SURFACE



SECTION A-A

**FOR INFORMATION ONLY:
DO NOT MANUFACTURE PARTS TO THIS DRAWING**

	S1	S2	EFL (AT 10.6 microns)	40.00	 Edmund Optics®	
SHAPE	CONVEX	PLANO	BFL (AT 10.6 microns)	39.12		
RADIUS	96.704	INFINITY	ALL DIMS IN	mm	DWG NO	69676
SURFACE QUALITY	60 - 40	60 - 40				
CLEAR APERTURE	$\varnothing 24.00$	$\varnothing 24.00$				
BEVEL MAX FACE	0.25 x 45°	0.25 x 45°				SHEET 1 OF 1