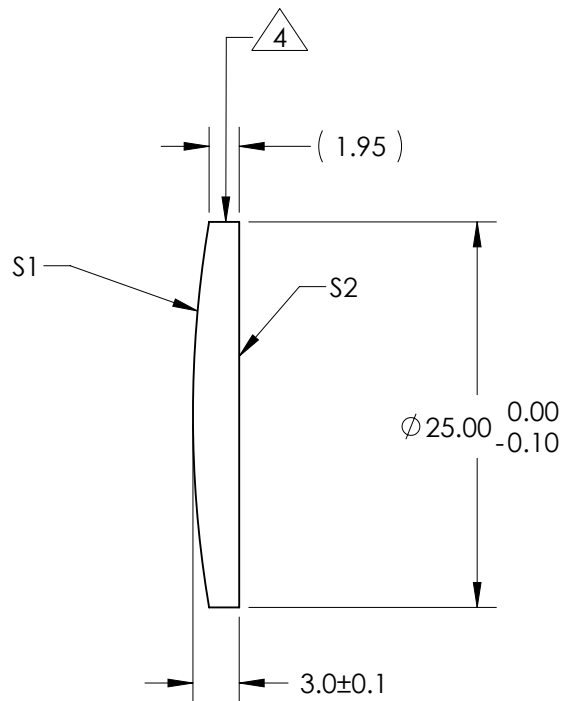


NOTES:


1. ALLOWABLE OPTICAL MATERIAL:
OPTICAL GRADE GERMANIUM
UNCOATED TRANSMISSION >45% AT 4 MICRONS
FOR 5mm THICK SAMPLE
2. CENTERING TOLERANCE:
BEAM DEVIATION: <3 ARCMIN
3. COATING (APPLY ACROSS COATING APERTURE)
S1: NONE
S2: NONE

 FINE GROUND SURFACE

5. FOCAL LENGTH TOLERANCE: $\pm 1\%$



**FOR INFORMATION ONLY:
DO NOT MANUFACTURE PARTS TO THIS DRAWING**

	S1	S2	EFL (AT 10.6 microns)	25.00	 Edmund Optics®	
SHAPE	CONVEX	PLANO	BFL (AT 10.6 microns)	24.25		
RADIUS	75.1	INFINITY	ALL DIMS IN	mm	DWG NO	69637
SURFACE QUALITY	60-40	60-40				
CLEAR APERTURE	∅ 24	∅ 24				
BEVEL MAX FACE	0.3mm x 45°	0.3mm x 45°				SHEET 1 OF 1