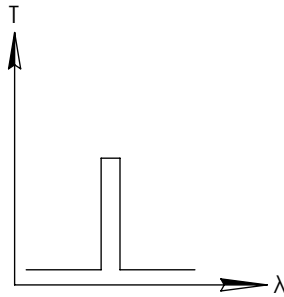
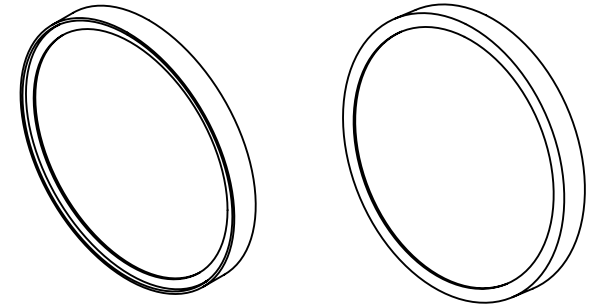
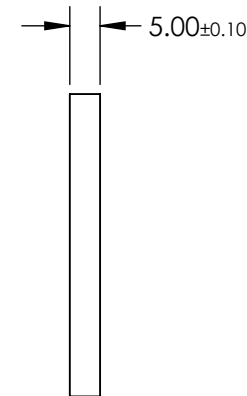
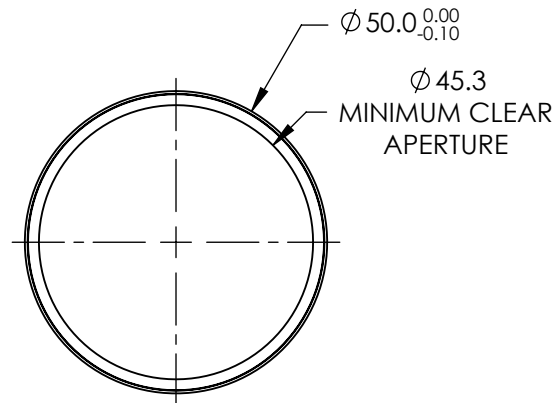


**FOR INFORMATION ONLY:
DO NOT MANUFACTURE
PARTS TO THIS DRAWING**



BANDPASS FILTER



| REV. 001 | VALUE |
|----------------------------|---|
| CENTER WAVELENGTH (CWL) | 852 ± 2nm |
| FULL WIDTH HALF MAX (FWHM) | 10 ± 2nm |
| MINIMUM TRANSMISSION | ≥85% |
| BLOCKING | 200 - 1200nm |
| SURFACE QUALITY | 80-50 |
| CONSTRUCTION | MOUNTED IN BLACK ANODIZED ALUMINUM RING |
| COATING TYPE | HARD COATED |
| DURABILITY | MIL-C-48497A, SECT. 3.4.1 |
| ENVIRONMENTAL | MIL-STD-801F, SECT. 507.4 |

SPECIFICATIONS SUBJECT TO CHANGE WITHOUT NOTICE
DIMENSIONS ARE FOR REFERENCE ONLY

EO® Edmund Optics®



ALL DIMS IN

mm

TITLE

OD4, Ø50mm, 852nm x 10nm, HC, BP FILTER

DWG NO

65242

SHEET
1 OF 1