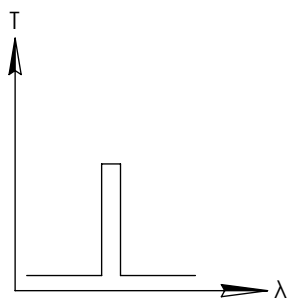
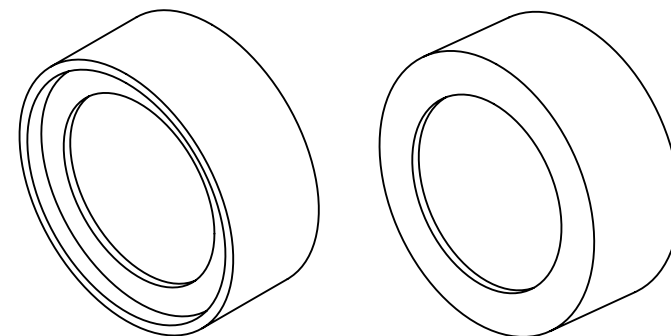
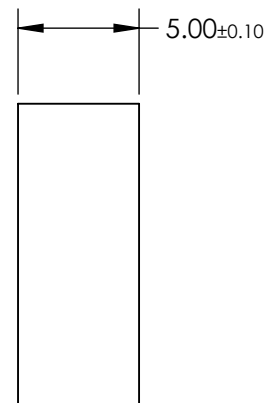
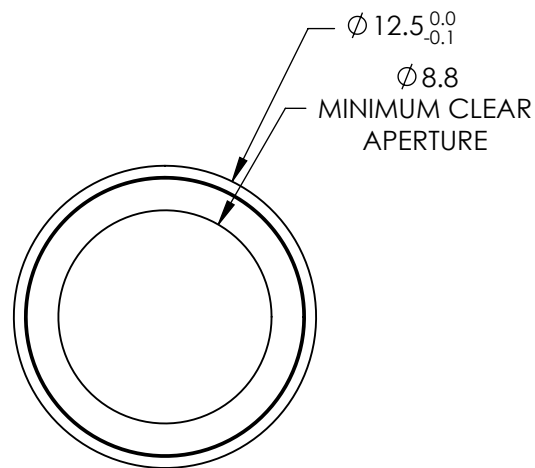


**FOR INFORMATION ONLY:
DO NOT MANUFACTURE
PARTS TO THIS DRAWING**



BANDPASS FILTER



REV. 001	VALUE
CENTER WAVELENGTH (CWL)	488 \pm 2nm
FULL WIDTH HALF MAX (FWHM)	10 \pm 2nm
MINIMUM TRANSMISSION	\geq 85%
BLOCKING	200 - 1200nm
SURFACE QUALITY	80-50
CONSTRUCTION	MOUNTED IN BLACK ANODIZED ALUMINUM RING
COATING TYPE	HARD COATED
DURABILITY	MIL-C-48497A, SECT. 3.4.1
ENVIRONMENTAL	MIL-STD-801F, SECT. 507.4

SPECIFICATIONS SUBJECT TO CHANGE WITHOUT NOTICE
DIMENSIONS ARE FOR REFERENCE ONLY

EO® Edmund Optics®



TITLE	OD4, Ø12.5mm, 488nm x 10nm, HC, BP FILTER		
DWG NO	65086	SHEET	1 OF 1

ALL DIMS IN mm