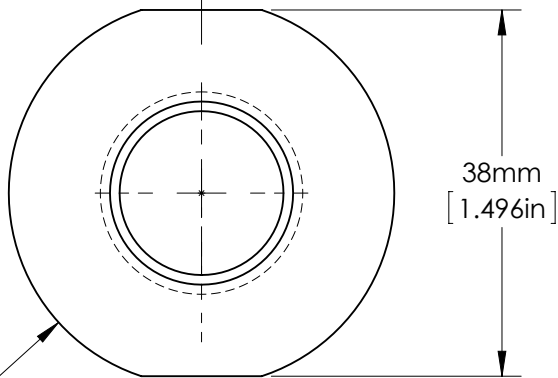
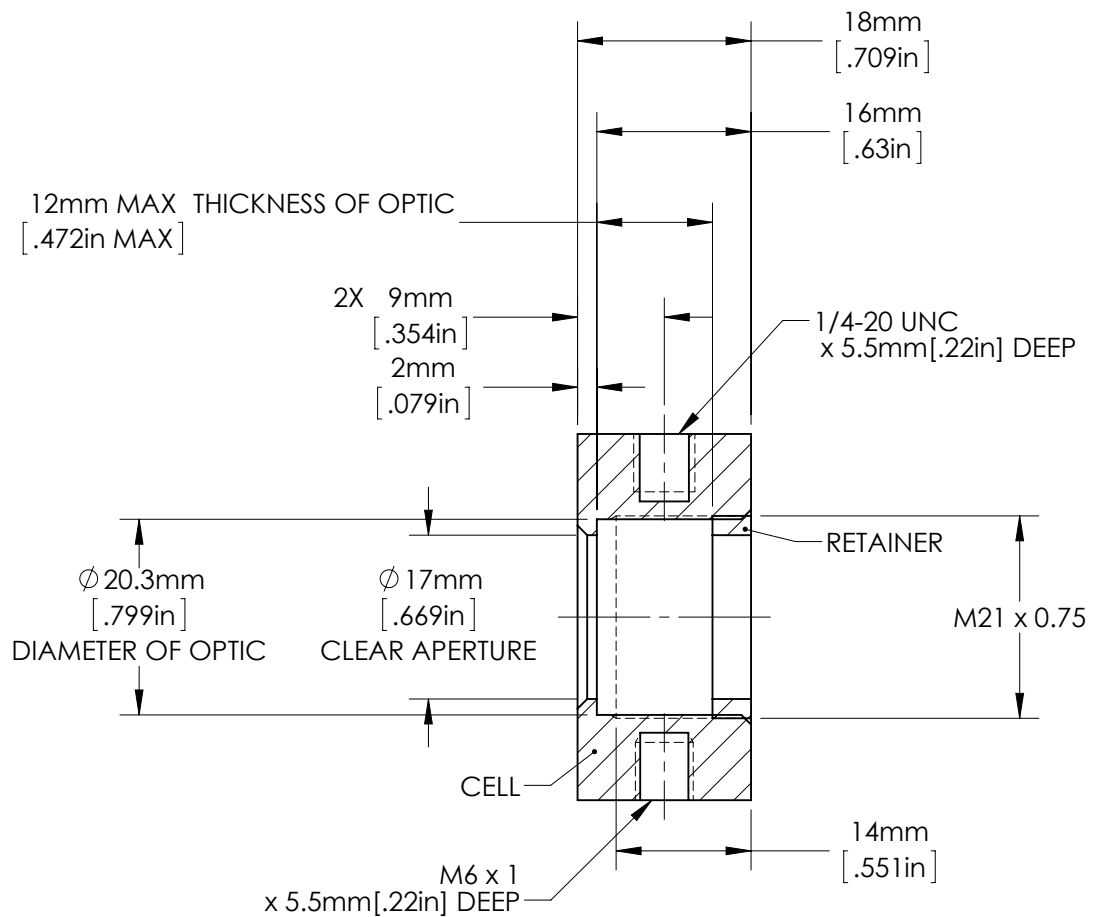


A



A

12mm MAX THICKNESS OF OPTIC
 [.472in MAX]



SECTION A-A

**FOR INFORMATION ONLY:
 DO NOT MANUFACTURE
 PARTS TO THIS DRAWING**

SPECIFICATIONS SUBJECT TO CHANGE WITHOUT NOTICE
 DIMENSIONS ARE FOR REFERENCE ONLY
 DIMENSIONS ARE IN mm [INCHES]

EO® Edmund Optics®

TITLE	Optic Mount, 20.0mm Optic Diameter, 12mm Max Optic Thickness		
DWG NO	64559	MATERIAL	BLACK ANODIZED ALUMINUM
			SHEET 1 OF 1