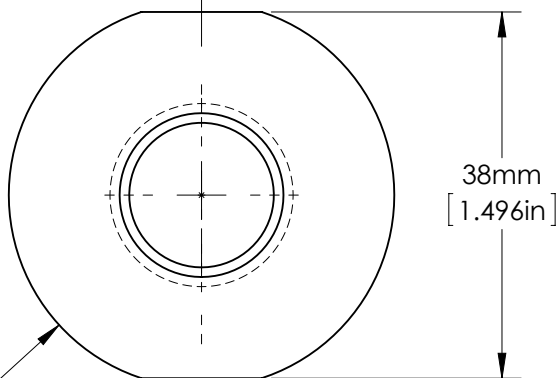
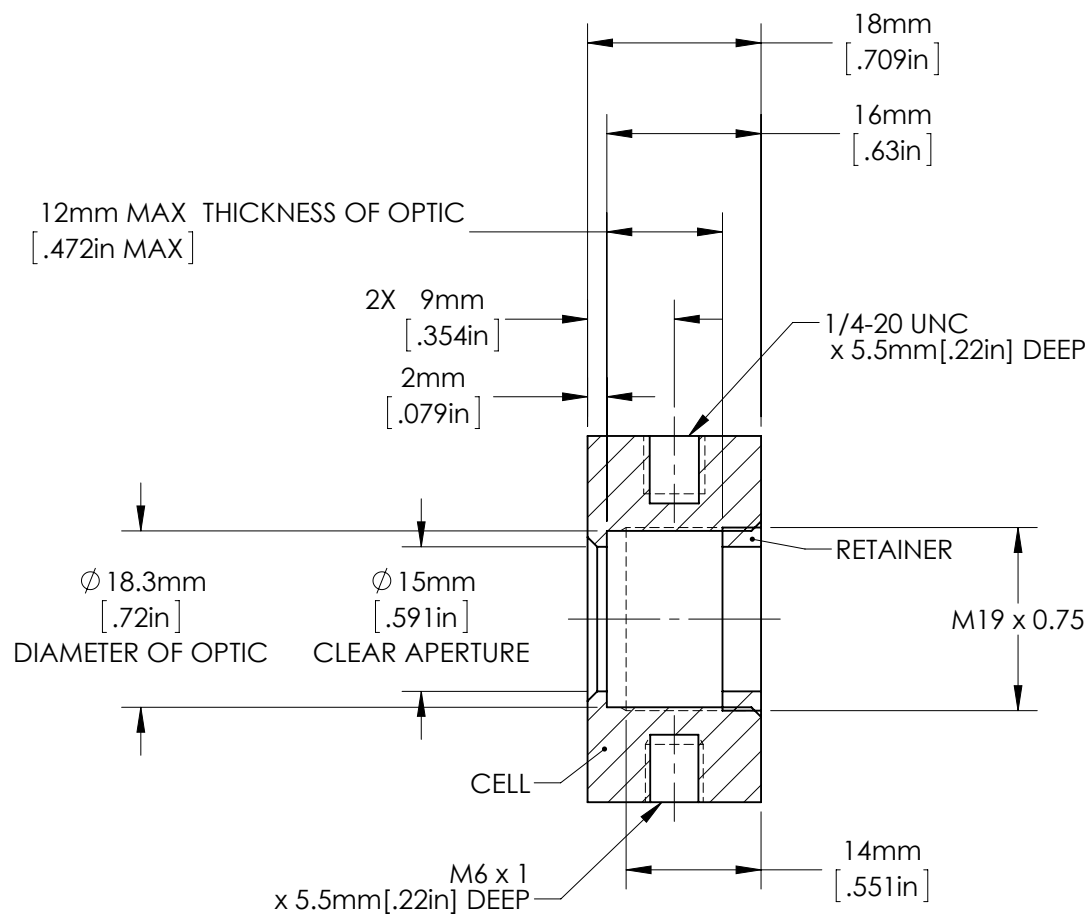


A



A

12mm MAX THICKNESS OF OPTIC  
[.472in MAX]



SECTION A-A

**FOR INFORMATION ONLY:  
DO NOT MANUFACTURE  
PARTS TO THIS DRAWING**

SPECIFICATIONS SUBJECT TO CHANGE WITHOUT NOTICE  
DIMENSIONS ARE FOR REFERENCE ONLY  
DIMENSIONS ARE IN mm [INCHES]



Edmund Optics®

TITLE	Optic Mount, 18.0mm Optic Diameter, 12mm Max Optic Thickness		
DWG NO	64558	MATERIAL	BLACK ANODIZED ALUMINUM
			SHEET 1 OF 1