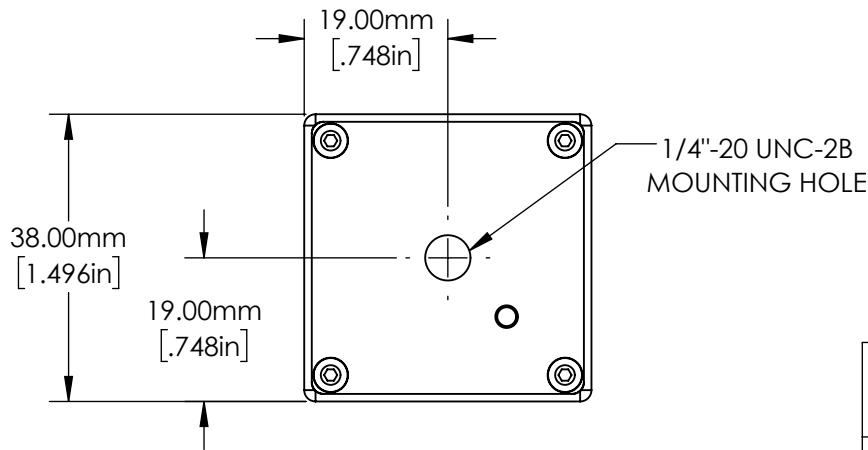
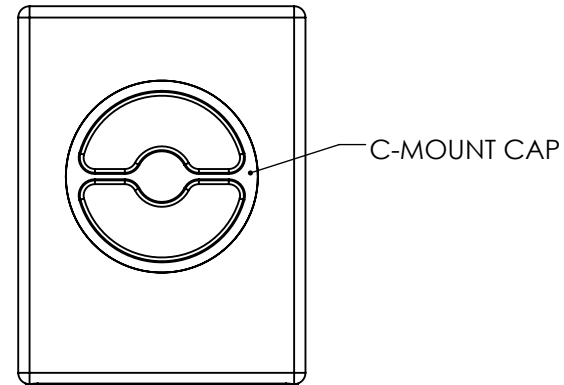
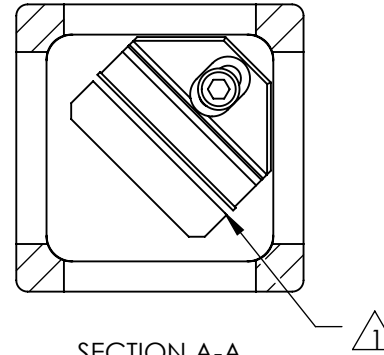
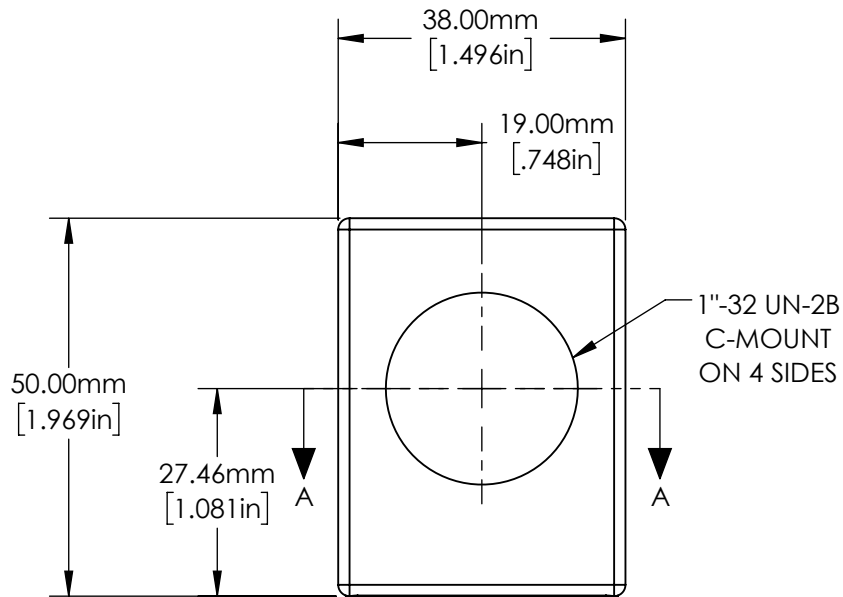


NOTES:

- ① DIMENSIONS OF COMPATIBLE OPTICS:
 MAX PLATE HEIGHT: 40.00mm
 MAX PLATE LENGTH: 36.00mm
 PLATE THICKNESS: 1 - 2mm



**FOR INFORMATION ONLY:
 DO NOT MANUFACTURE
 PARTS TO THIS DRAWING**

SPECIFICATIONS SUBJECT TO CHANGE WITHOUT NOTICE
 DIMENSIONS ARE FOR REFERENCE ONLY

EO® Edmund Optics®

THIRD ANGLE PROJECTION		TITLE	MOUNT ONLY FOR ANY 35mm SQ x 1mm THICK PLATE	
ALL DIMS IN	mm	DWG NO	56264	SHEET 1 OF 1