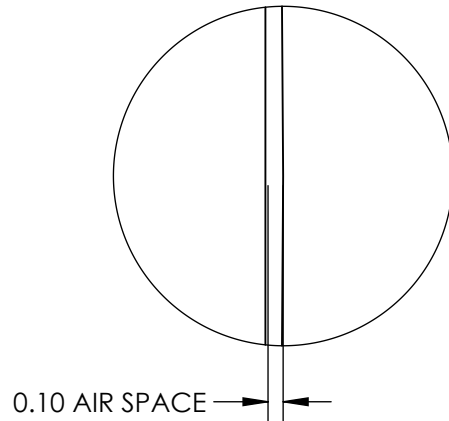


NOTES:

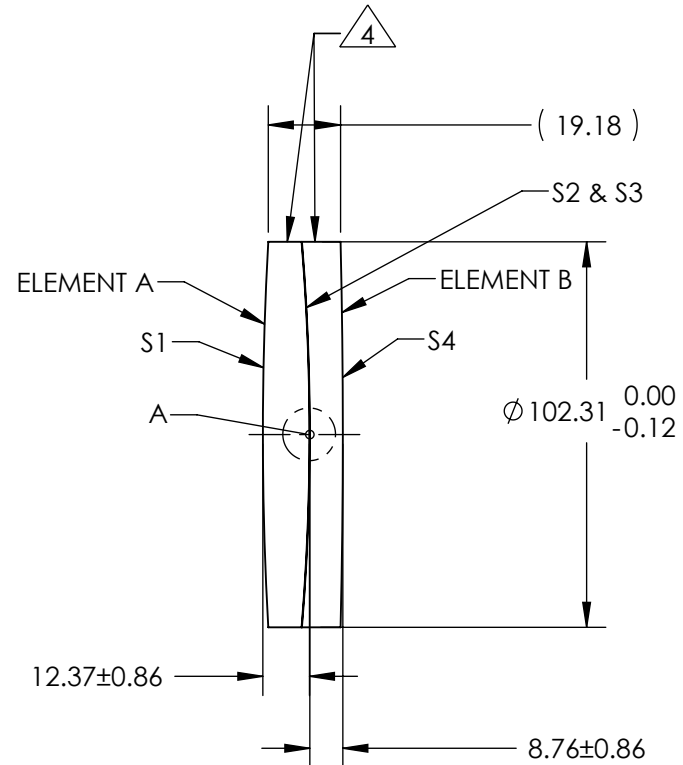
1. ALLOWABLE OPTICAL MATERIAL: GRADE A FINE ANNEALED
ELEMENT A: SCHOTT: N-BK7 517/642
ELEMENT B: SCHOTT: N-SF2 648/339
2. CENTERING TOLERANCE:
BEAM DEVIATION: 5 arc min.
3. COATING (APPLY ACROSS COATING APERTURE)
S1, S2, S3 & S4: 1/4 Wave MgF2@550nm
Ravg ≤1.75% 400-700nm (BK7)

△ 4. FINE GROUND SURFACE

5. FOCAL LENGTH TOLERANCE: ± 1%




DETAIL A



FOR INFORMATION ONLY:
DO NOT MANUFACTURE PARTS TO THIS DRAWING

SPECIFICATIONS SUBJECT TO CHANGE WITHOUT NOTICE
DIMENSIONS ARE FOR REFERENCE ONLY

	ELEMENT A		ELEMENT B	
	S1	S2	S3	S4
SHAPE	CONVEX	CONVEX	CONCAVE	CONVEX
RADIUS	908.13	-626.59	-625.40	-2,169.77
SURFACE QUALITY	60-40	60-40	60-40	60-40
CLEAR APERTURE	98.75	98.75	98.75	98.75
BEVEL MAX FACE	0.4mm x 45°	0.4mm x 45°	0.4mm x 45°	0.4mm x 45°

EFL (AT 587.6nm)	1,524.73	 Edmund Optics®	
BFL (AT 587.6nm)	1,514.53		
ALL DIMS IN	mm	TITLE	LENS LARGE ACHROMAT 102.31MM DIA X 1524.73MM FL MgF2
		DWG NO	50107