

NOTES:

1. SUBSTRATE:
ELEMENT A: N-SK14
ELEMENT B: N-SF57
2. CENTERING: 3-5 ARCMIN
3. COATING:
S1: R(AVG) ≤ 0.4% FROM 425-675nm @ 0° AOI
S2, S3, & S4: NONE

4. FINE GRIND SURFACE

5. ELEMENTS TO BE CEMENTED WITH NORLAND OPTICAL ADHESIVE
NOA 61

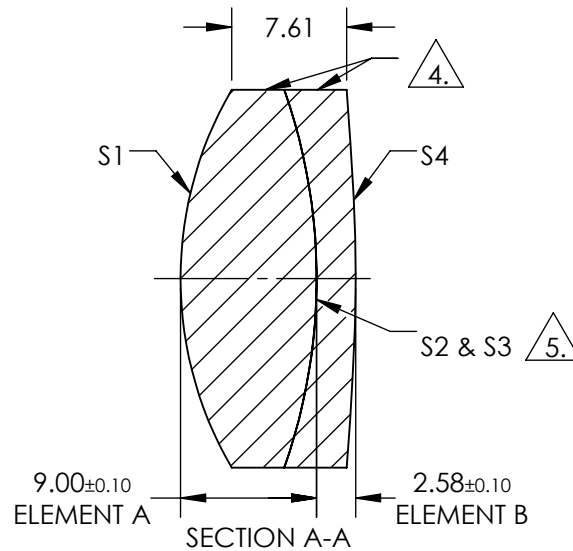
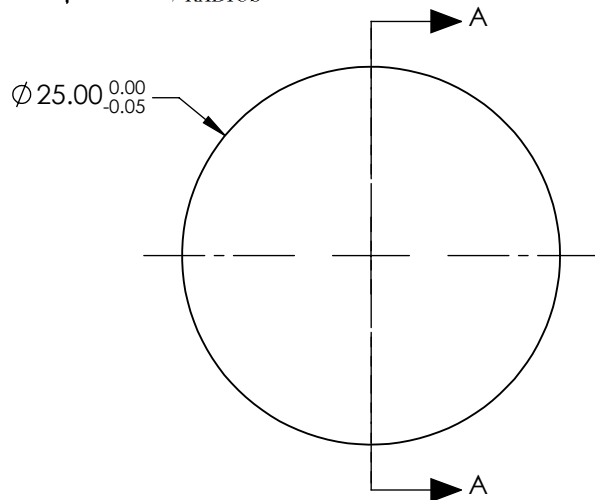
6. POLYMER ASPHERE APPLIED TO S4 OF ACHROMAT:

MATERIAL: $n_d=1.517$, $V_d=52.0$

CENTER THICKNESS: 0.060mm ADDED TO S4

CLEAR APERTURE(CENTERED ON S4 WITH NO MACRO DEFECTS):

$$Z_{ASPH}(Y) = \frac{(\sqrt{RADIUS})^2 * Y^2}{1 + \sqrt{1 - (1+k) * (\sqrt{RADIUS})^2 * Y^2}} + D * Y^2 + E * Y^4 + F * Y^6 + G * Y^8 + H * Y^{10} + J * Y^{12} + L * Y^{14}$$



**FOR INFORMATION ONLY:
DO NOT MANUFACTURE
PARTS TO THIS DRAWING**

SPECIFICATIONS SUBJECT TO CHANGE WITHOUT NOTICE
DIMENSIONS ARE FOR REFERENCE ONLY

COEFFICIENT TABLE 6.	
COEFFICIENT	S1
SEMI-DIAMETER	1.175000E+01
(1/RADIUS)	-0.977163E-02
k	0.000000E+00
D	0.000000E+00
E	9.577981E-06
F	-1.436447E-08
G	0.000000E+00
H	0.000000E+00
J	0.000000E+00
L	0.000000E+00

	S1	S2	S3	S4
SHAPE	CONVEX	CONVEX	CONCAVE	CONVEX
RADIUS	24.80	37.60	37.60	102.34 6.
SURFACE QUALITY	60-40	60-40	60-40	60-40
MIN CLEAR APERTURE	Ø22.25	Ø22.25	Ø22.25	Ø23.00
BEVEL MAX FACE	PROTECTIVE AS NEEDED	PROTECTIVE AS NEEDED	PROTECTIVE AS NEEDED	PROTECTIVE AS NEEDED

EFL: 40.00mm			Edmund Optics®	
BFL: 33.48mm				
THIRD ANGLE PROJECTION		TITLE	25mm DIAMETER x 40mm EFL ASPHERIZED ACHROMATIC LENS	
ALL DIMS IN	mm	DWG NO	49664	SHEET 1 OF 1