

NOTES:

1. SUBSTRATE:  
ELEMENT A: N-LAK8  
ELEMENT B: N-SF57
2. CENTERING: 3-5 ARCMIN
3. COATING:  
S1: R(AVG) ≤ 0.4% FROM 425-675nm @ 0° AOI  
S2, S3, & S4: NONE

4. FINE GRIND SURFACE

5. ELEMENTS TO BE CEMENTED WITH NORLAND OPTICAL ADHESIVE  
NOA 61

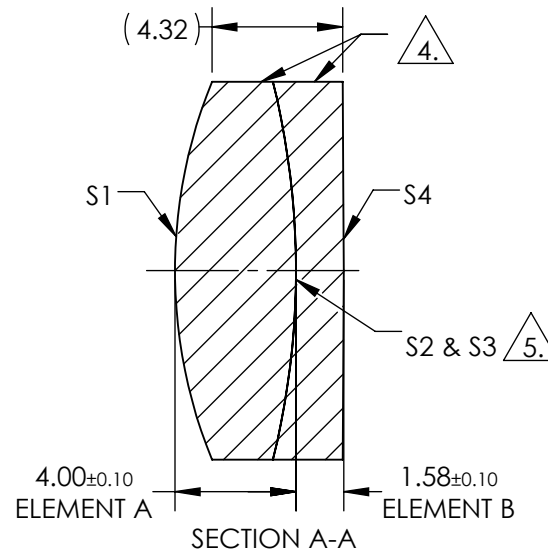
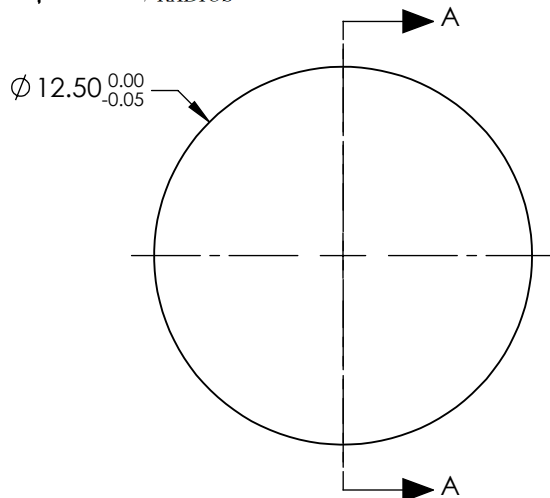
6. POLYMER ASPHERE APPLIED TO S4 OF ACHROMAT:

MATERIAL:  $n_d=1.517$ ,  $V_d=52.0$

CENTER THICKNESS: 0.080mm ADDED TO S4

CLEAR APERTURE(CENTERED ON S4 WITH NO MACRO DEFECTS):

$$Z_{ASPH}(Y) = \frac{(\sqrt{RADIUS})^2 * Y^2}{1 + \sqrt{1 - (1+k) * (\sqrt{RADIUS})^2 * Y^2}} + D * Y^2 + E * Y^4 + F * Y^6 + G * Y^8 + H * Y^{10} + J * Y^{12} + L * Y^{14}$$



COEFFICIENT TABLE 6.	
COEFFICIENT	S1
SEMI-DIAMETER	5.750000E+00
(1/RADIUS)	-0.037345E-01
k	0.000000E+00
D	0.000000E+00
E	2.775990E-05
F	-8.691583E-08
G	0.000000E+00
H	0.000000E+00
J	0.000000E+00
L	0.000000E+00

SPECIFICATIONS SUBJECT TO CHANGE WITHOUT NOTICE  
DIMENSIONS ARE FOR REFERENCE ONLY

	S1	S2	S3	S4
SHAPE	CONVEX	CONVEX	CONCAVE	PLANO
RADIUS	16.60	26.00	26.00	267.77 6.
SURFACE QUALITY	60-40	60-40	60-40	60-40
MIN CLEAR APERTURE	Ø11.25	Ø11.25	Ø11.25	Ø11.00
BEVEL MAX FACE	PROTECTIVE AS NEEDED	PROTECTIVE AS NEEDED	PROTECTIVE AS NEEDED	PROTECTIVE AS NEEDED

EFL: 25.00mm

BFL: 21.69mm

THIRD ANGLE PROJECTION

ALL DIMS IN

mm



Edmund Optics®

TITLE

12.5mm DIAMETER x 25mm EFL ASPHERIZED  
ACHROMATIC LENS

DWG NO

49660

SHEET  
1 OF 1

**FOR INFORMATION ONLY:  
DO NOT MANUFACTURE  
PARTS TO THIS DRAWING**